

GRADE 1 HEAVY DUTY LEVER LOCKSET

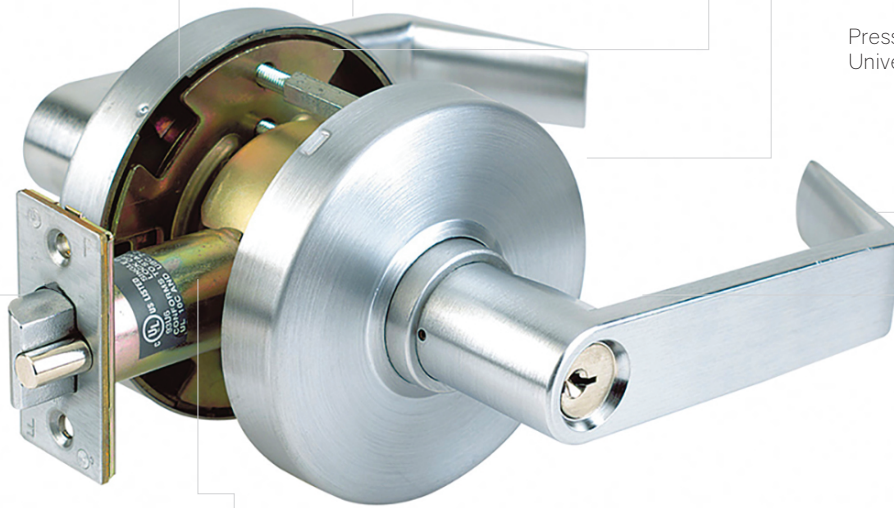
Individual coil compression springs to provide great strength and durability

Meet ANSI hollow metal and wooden door cutout
1-5/8" (40MM) - 1-3/4" (44mm) door thickness

Removable True through-bolting
(Convertible thru-bolt)
for wooden and steel door

Wrought brass or bronze rose
The Anti-sagging mechanism of
handle in rose

Pressure cast Solid Zinc Handle
Universal, non-handed



Stainless Steel 17/32" (13.5mm) throw
deadlatch & spring latch
Reversible latch for flat & beveled door

UL Label
UL 3 Hour fire rated

Precision solid brass pin
tumbler cylinders cap-nut way with
brass keys
Schlage "C" Keyway & SFIC available



ADA compliant



SPECIFICATIONS

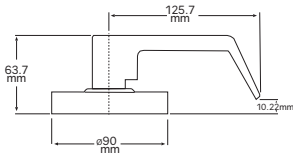
- **Certifications:**
 - UL/cUL Listed
 - UL 10C 3 hours fire rating
 - ADA compliant
- **Door Thickness:** 1-5/8" (40mm) to 1-3/4" (44mm)
- **Backset:** 2-3/4" (70mm) standard, 2-3/8" (60mm) optional
- **Latch Front:** 1-1/8" (29mm) x 2-1/4" (57mm)
- **Latch Bolt:** Stainless Steel 17/32" (13.5mm) throw
- **Strike:** ANSI (ASA) curved lip strike standard.
- **Cylinder & Keys:** Precision solid brass pin tumbler cylinders with nickel silver brass 2 keys. Schlage "C" keyway and SFIC available
- **Small Format Interchangeable Core** available
- **Limited Warranty:** Seven-year Mechanical
- **Flexibility:**
 - Removable convertible post
 - Free wheeling mechanism
 - Various lever designs available
 - Large selection of functions and finishes available
- **Free wheeling mechanism (clutch):** When the outside lever is locked, it will rotate freely up and down while remaining securely locked.



TECHNICAL DIMENSIONS

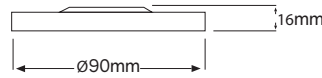
Lever Design:

Lever (L)

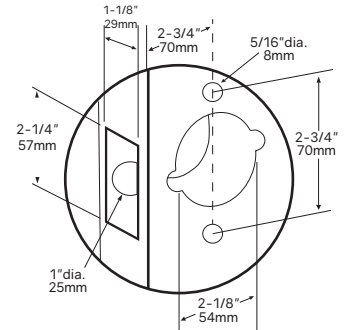


Rose Design:

Flat Rose (F)

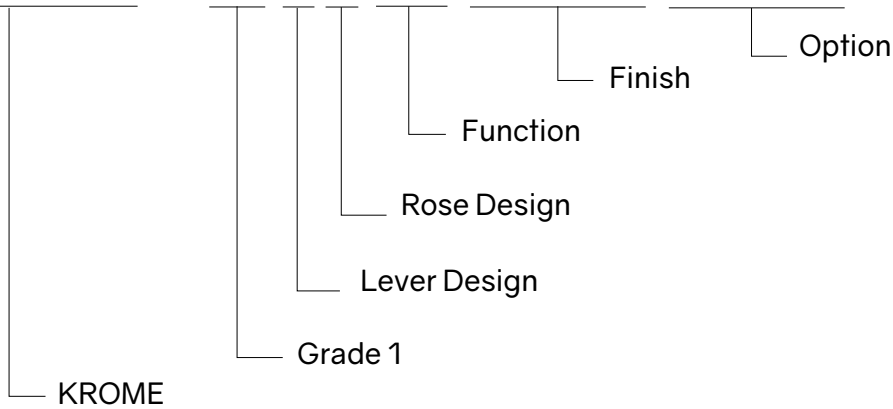


Door Preparation:



HOW TO ORDER

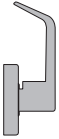
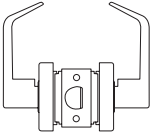
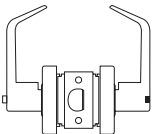
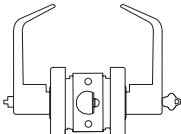
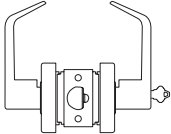
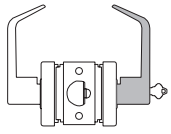
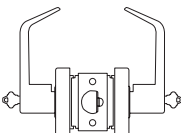
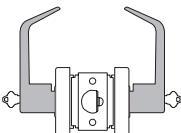
K R O M - 1 1 L F 5 3 C 2 6 D S F I C



Item Number	Rose	Function	Finish	Option
11L	Flat (F)	Dummy (00) Passage (10) Privacy (40) Entry (53) Classroom (70) Classroom Double (72) Storeroom (80) Storeroom Double (82)	Satin Chrome (C26D)	Clutch (C) Small Format Interchangeable Core (SFIC) available for certain functions

Note: Default Schlage Keyway
SFIC not available for functions 72 and 82

FUNCTIONS

Outside	Inside	Type	ANSI	Function Description
		Dummy (00)	-	<ul style="list-style-type: none"> Lever acts as pull only; no operation
		Passage (10)	HF 75	<ul style="list-style-type: none"> Latchbolt by lever either side Both levers always free
		Privacy Bedroom or Bathroom (40)	HF 76	<ul style="list-style-type: none"> Latchbolt by lever either side, except when push button locks outside lever. (Lever handle is free-wheeling in locked position.) Outside lever locked by push button Outside lever unlocked by emergency release tools by rotating inside lever or by closing door
		Entrance or Office (53)	HF 81	<ul style="list-style-type: none"> Deadlocking latchbolt by either side except when turn button locks outside lever (Lever handle is free wheeling in locked position) Pushing turn button locks outside lever, requiring use of key outside to unlock Turning inside lever unlocks outside lever Pushing in and turning button locks outside lever, requiring key at all times. Turning inside lever does not unlock outside lever until button is manually turned to unlocked position
		Classroom (70)	HF 84	<ul style="list-style-type: none"> Deadlocking latchbolt by lever either side except when key outside locks outside lever (Lever handle is free-wheeling in locked position.) Outside lever unlocked by key outside Inside lever always free
		Storeroom (80)	HF 86	<ul style="list-style-type: none"> Deadlocking latchbolt by key in outside lever or by rotating inside lever (Lever handle is free-wheeling in locked position.) Outside lever always locked Inside lever always free
		Communicating Double Classroom (72)	HF 88	<ul style="list-style-type: none"> Key in either lever locks or unlocks its own lever independently
		Communicating Double Storeroom (82)	HF 87	<ul style="list-style-type: none"> Bothside lever rigid Bothside lever operated by key only