

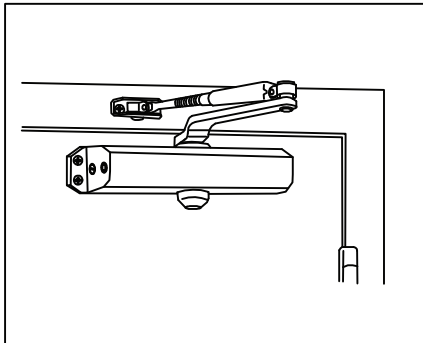
### GRADE 2 MEDIUM DUTY DOOR CLOSER



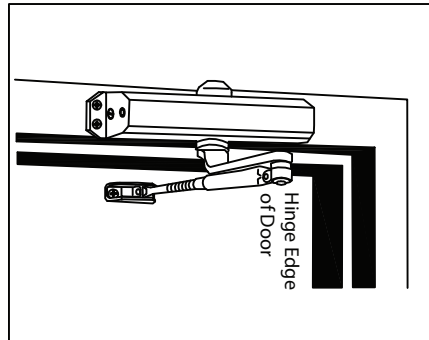
#### SPECIFICATIONS

- Certification:
  - ANSI A 156.4 Grade 2
  - UL/CUL Listed
  - UL 10C 3 hours fire rating
- Fixed spring power size 2 or size 3
- Materials of Closer body: Die Cast Aluminum
- Materials of Closer arm: Stamped steel
- Standard sweep and latching speed
- Backcheck
- Installation type: Tri-packed (regular arm, top jamb and Parallel arm mounting)
- Finish: Aluminum
- Limited Warranty: 5 years

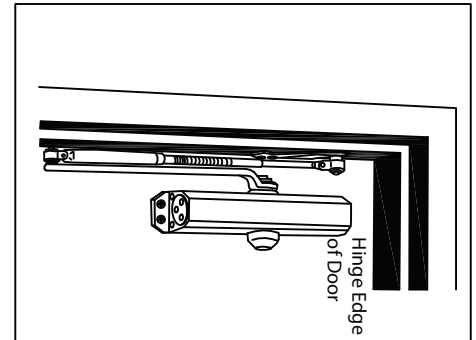
STANDARD MOUNT  
(PULL SIDE)



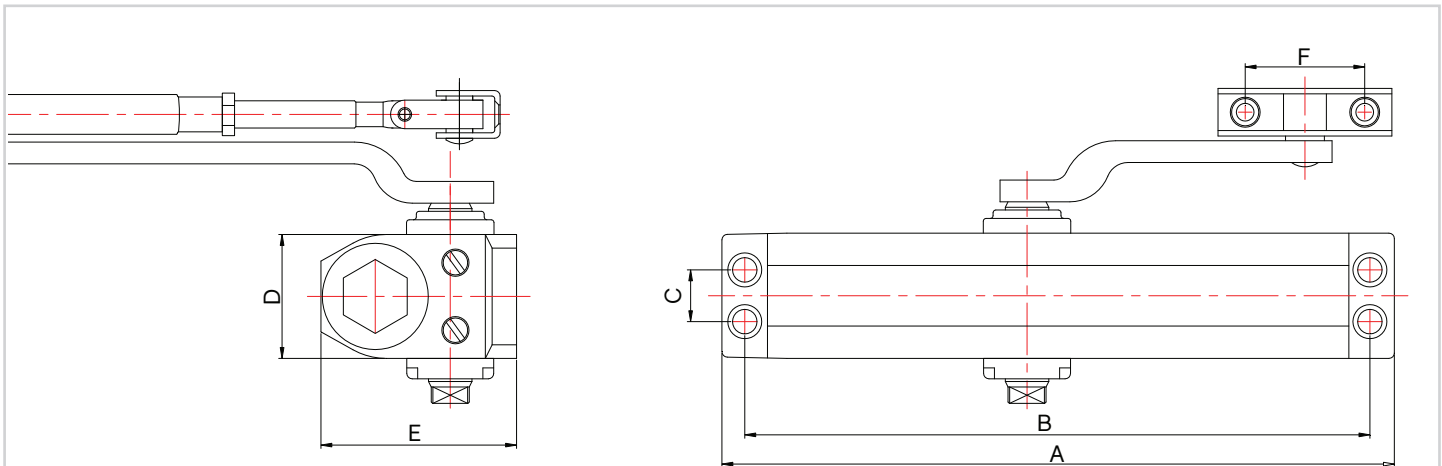
TOP JAMB MOUNT  
(PUSH SIDE)



PARALLEL MOUNT  
(PUSH SIDE)



### TECHNICAL DIMENSIONS

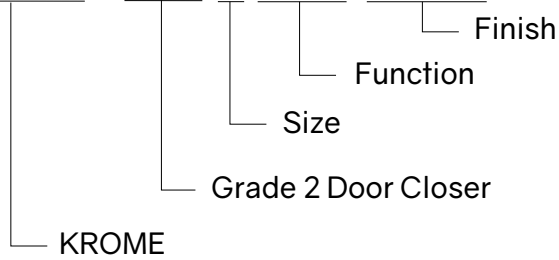


Description	Dimensions
A. Length of Closer Body	8-7/8" (225 mm)
B. Horizontal Mounting Holes	8-3/16" (208 mm)
C. Vertical Mounting Holes	3/4" (19 mm)
D. Closer Body Height	1-31/32" (50 mm)
E. Projection from Door	2-29/32" (73 mm)
F. Arm Shoes Spacing	1-3/4" (44 mm)

Maximum Size of Door							
Regular & Top Jamb				Parallel Arm			
Closer Size	Interior	Exterior Inswing	Exterior Outswing	Closer Size	Interior	Exterior Outswing	Applicable Door Weight Lbs (Kg)
2	36" (0.91m)	N/A	N/A	2	30" (0.76m)	N/A	66-99 (30-45)
3	42" (1.07m)	30" (0.76m)	36" (0.91m)	3	36" (0.91m)	30" (0.76m)	99-143 (45-65)

### HOW TO ORDER

KROM - 9 2 2 B C 6 8 9



Item Number	Size	Function	Finish
92	Fixed Power 2 (2) Fixed Power 3 (3)	Backcheck (BC)	Aluminum (689)

Note: Tri-packed, with backcheck.