

GRADE 2 MEDIUM DUTY LEVER LOCKSET

Individual coil compression springs to provide great strength and durability

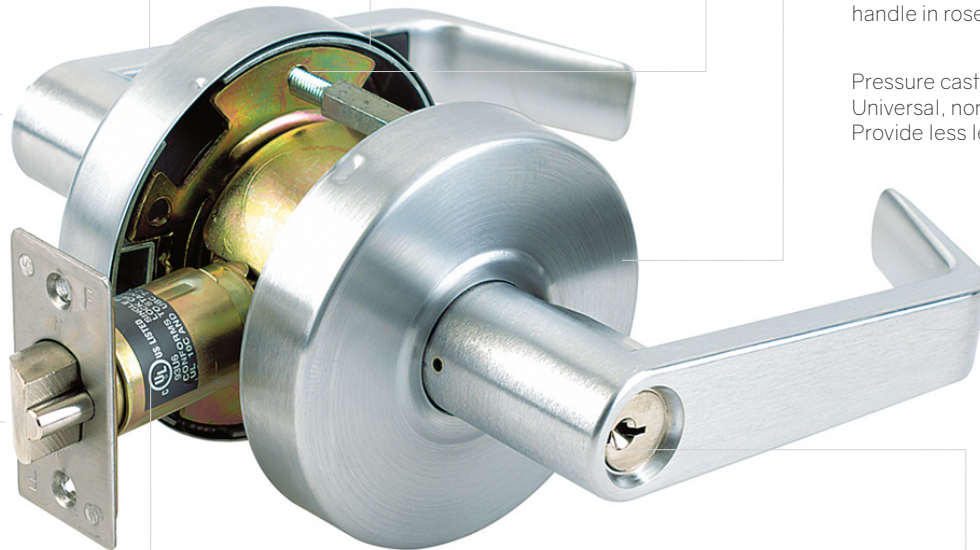
Meet ANSI hollow metal and wooden door cutout
1-3/8" (35MM) -1-3/4"(45mm) door thickness

Removable true through-bolting
(Convertible thru-bolt)
for wooden and steel door

Universal Turn Button
or Push In & Turn Button

Wrought brass or bronze rose
The anti-sagging mechanism of
handle in rose

Pressure cast solid zinc handle
Universal, non-handed
Provide less lever wobble and droop



Solid brass 1/2" (12.7mm) throw
deadlatch & spring latch
Reversible latch for flat & beveled door

UL Label
UL 3 Hour fire rated

Precision solid brass pin
tumbler cylinders with brass keys
Schlage "C" keyway, Weiser &
SFIC available



ADA compliant



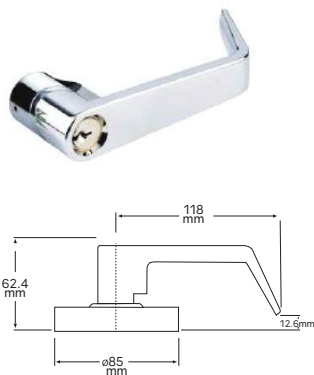
SPECIFICATIONS

- **Certifications:**
 - UL/cUL Listed
 - UL 10C 3 hours fire rating
 - ADA compliant
- **Door Thickness:** 1-3/8" (35mm) to 1-3/4" (45mm)
- **Backset:** 2-3/4" (70mm) standard, 2-3/8" (60mm) optional, 3-3/4" (95mm) and 5" (127mm) available
- **Latch Front:** 1-1/8" (29mm) x 2-1/4" (57mm) standard, 1" (25mm) x 2-1/4" (57mm) optional, square or round corner, beveled, drive-in latch available
- **Latch Bolt:** Solid Brass 1/2" (12.7mm) throw
- **Strike:** ANSI (ASA) curved lip strike standard.
- **Cylinder & Keys:** Precision solid brass pin tumbler cylinders with nickel silver brass 2 keys. Schlage "C" keyway, Weiser and SFIC available
- Small Format Interchangeable Core available
- **Limited Warranty:** five-year Mechanical
- **Flexibility:**
 - Removable convertible post
 - Free wheeling mechanism
 - Various lever and rose designs
 - Large selection of functions and finishes available

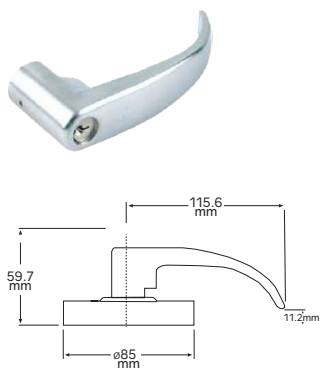
TECHNICAL DIMENSIONS

Lever Designs:

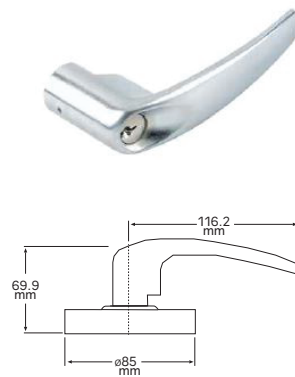
Lever (L)



Lever (R)

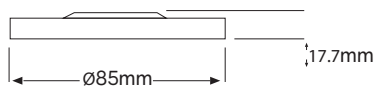


Lever (S)

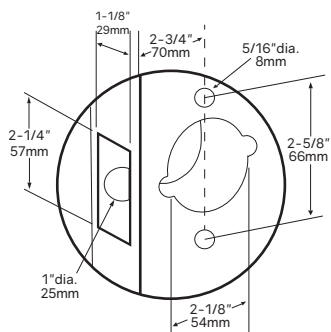


Rose Design:

Flat Rose (F)

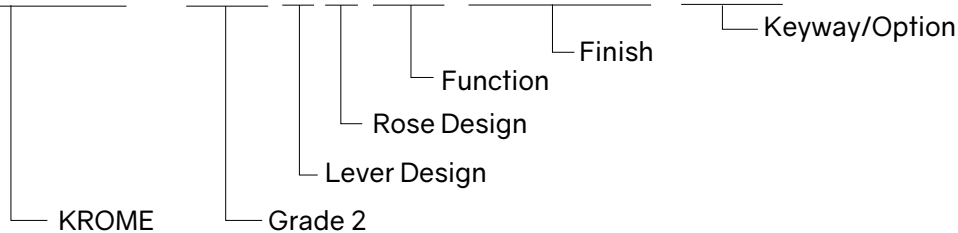


Door Preperation:




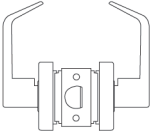
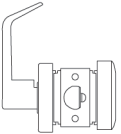
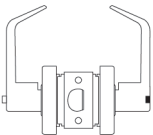
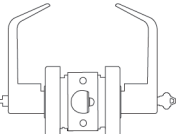
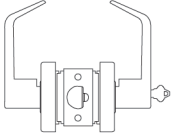
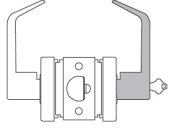
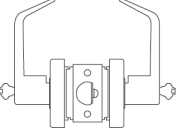
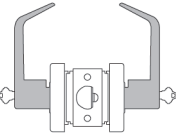
HOW TO ORDER

K R O M - 2 2 L F 5 3 C 2 6 D W R



Item Number	Lever design	Rose	Function	Finish	Keyway	Options
22	L shape (L)	Flat (F)	Dummy (00)	Black (C19) Satin Chrome (C26D)		
			Passage (10)	Black (C19) Satin Chrome (C26D) Bright Brass (C3)		
			Half Passage (15)	Satin Chrome (C26D)		
			Privacy (40)	Black (C19) Satin Chrome (C26D) Bright Brass (C3)		
			Entry (53)	Black (C19) Bright Brass (C3)	Schlage	
			Entry (53)	Satin Chrome (C26D)	Schlage	Clutch (optional)
			Entry (53)	Satin Chrome (C26D)	SFIC Weiser (WR)	
			Classroom (70)	Black (C19) Bright Brass (C3)	Schlage	
			Classroom (70)	Satin Chrome (C26D)	Schlage	Clutch (optional)
			Classroom (70)	Satin Chrome (C26D)	SFIC	
			Classroom Double (72)	Satin Chrome (C26D)	Schlage	
			Storeroom (80)	Black (C19) Bright Brass (C3)	Schlage	
			Storeroom (80)	Satin Chrome (C26D)	Schlage	Clutch (optional)
Storeroom (80)	Satin Chrome (C26D)	Schlage SFIC Weiser (WR)				
Storeroom Double (82)	Satin Chrome (C26D)	Schlage				
22	Round (R)	Flat (F)	Passage (10) Privacy (40) Entry (53) Classroom (70) Storeroom (80)	Satin Chrome (C26D)	Schlage	
22	Short (S)	Flat (F)	Dummy (00)	Black (C19)		
			Passage (10)	Black (C19) Satin Chrome (C26D)		
			Privacy (40)	Black (C19) Satin Chrome (C26D)		
			Entry (53)	Black (C19) Satin Chrome (C26D)	Schlage	
			Classroom (70)	Black (C19) Satin Chrome (C26D)	Schlage	
			Storeroom (80)	Black (C19) Satin Chrome (C26D)	Schlage	

FUNCTIONS

Outside	Inside	Type	ANSI	Function Description
		Dummy (00)	-	<ul style="list-style-type: none"> Lever acts as pull only; no operation
		Passage (10)	HF 75	<ul style="list-style-type: none"> Latchbolt by lever either side Both levers always free
		Half Passage (15)	HF 89A	<ul style="list-style-type: none"> Guard bolt deadlocks latch bolt Blank plate outside Latch bolt by lever inside Minimum clearance of 1" required between doors
		Privacy Bedroom or Bathroom (40)	HF 76	<ul style="list-style-type: none"> Latchbolt by lever either side, except when push button locks outside lever. (Lever handle is free-wheeling in locked position.) Outside lever locked by push button Outside lever unlocked by emergency release tools by rotating inside lever or by closing door
		Entrance or Office (53)	HF 81	<ul style="list-style-type: none"> Deadlocking latchbolt by either side except when turn button locks outside lever (Lever handle is free wheeling in locked position) Pushing turn button locks outside lever, requiring use of key outside to unlock Turning inside lever unlocks outside lever Pushing in and turning button locks outside lever, requiring key at all times. Turning inside lever does not unlock outside lever until button is manually turned to unlocked position
		Classroom (70)	HF 84	<ul style="list-style-type: none"> Deadlocking latchbolt by lever either side except when key outside locks outside lever (Lever handle is free-wheeling in locked position.) Outside lever unlocked by key outside Inside lever always free
		Storeroom (80)	HF 86	<ul style="list-style-type: none"> Deadlocking latchbolt by key in outside lever or by rotating inside lever (Lever handle is free-wheeling in locked position.) Outside lever always locked Inside lever always free
		Communicating Double Classroom (72)	HF 88	<ul style="list-style-type: none"> Key in either lever locks or unlocks its own lever independently
		Communicating Double Storeroom (82)	HF 87	<ul style="list-style-type: none"> Bothside lever rigid Bothside lever operated by key only