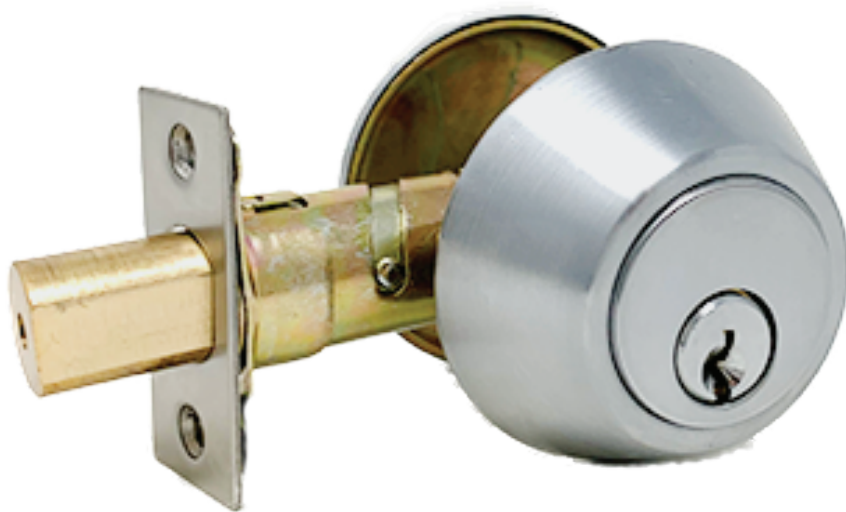


GRADE 3 DEADBOLT



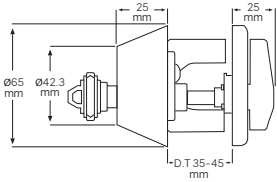
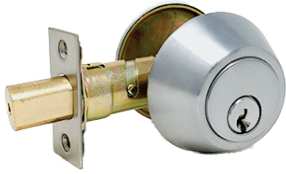
SPECIFICATIONS

- **Certifications:**
 - Conforms to ANSI/BHMA Grade 3
- **Door Thickness:** 1-3/8" (35mm) to 1-3/4" (45mm)
- **Backset:** adjustable 2-3/8" (60.3mm) or 2-3/4" (70mm)
- **Latch Front:** 1"x 2-1/4" (57mm) square or drive-in
- **Latch Bolt:** Solid Brass 1" (25.4mm) throw with hardened steel pin inserted
- **Strike:** Deadbolt strike standard
- **Cylinder & Keys:** Precision solid brass 5 pin tumbler cylinders with nickel silver brass 2 keys. Schlage "C" or Weiser keyway
- **Limited Warranty:** Five-year Mechanical

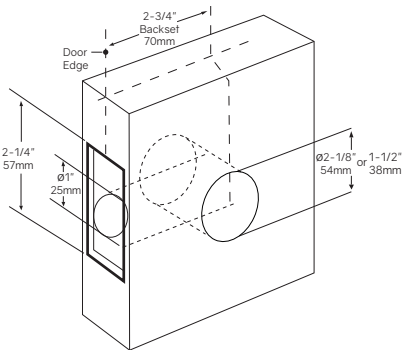
TECHNICAL DIMENSIONS

Function:

Single (51)

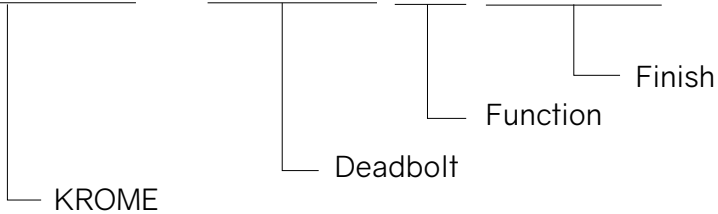


Door Preparation:



HOW TO ORDER

K R O M - 3 5 D B 5 1 C 2 6 D



Item Number	Function	Finish	Option
35DB	Single (51)	Satin Chrome (C26D)	Schlage Keyway (Blank) Weiser Keyway (WR)