

### GRADE 2 MEDIUM DUTY DOOR CLOSER



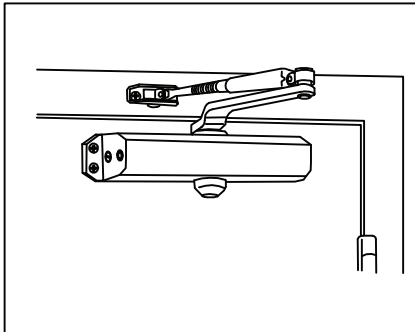
With Cover



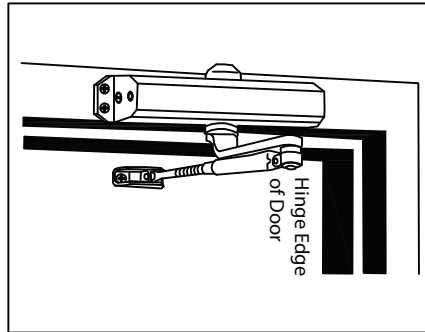
#### SPECIFICATIONS

- Certification:
  - ANSI/BHMA A 156.4 Grade 2
  - UL/CUL Listed
  - UL 10C 3 hours fire rating
- Materials of Closer body: Die Cast Aluminum
- Materials of Closer arm: Stamped steel
- Handing: Non handed
- Cover: Included
- Adjustment:
  - Spring power size adjustable 2-5
  - Adjustable Backcheck
  - Adjustable sweep speed
  - Adjustable latching speed
- Rack and Pinion: Double Heat treated
- Bearings: Full needle bearing for high efficiency
- Fluid: Anti-Freeze and fire-proof
- Screws: Standard packing
- Finish: Aluminum, Duro (special order)
- Installation type: Tri-packed (regular arm, top jamb and Parallel arm mounting)
- Limited Warranty: 5 years

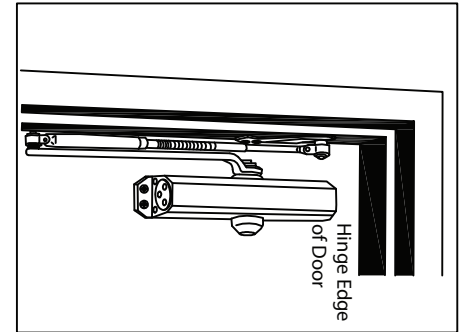
STANDARD MOUNT  
(PULL SIDE)



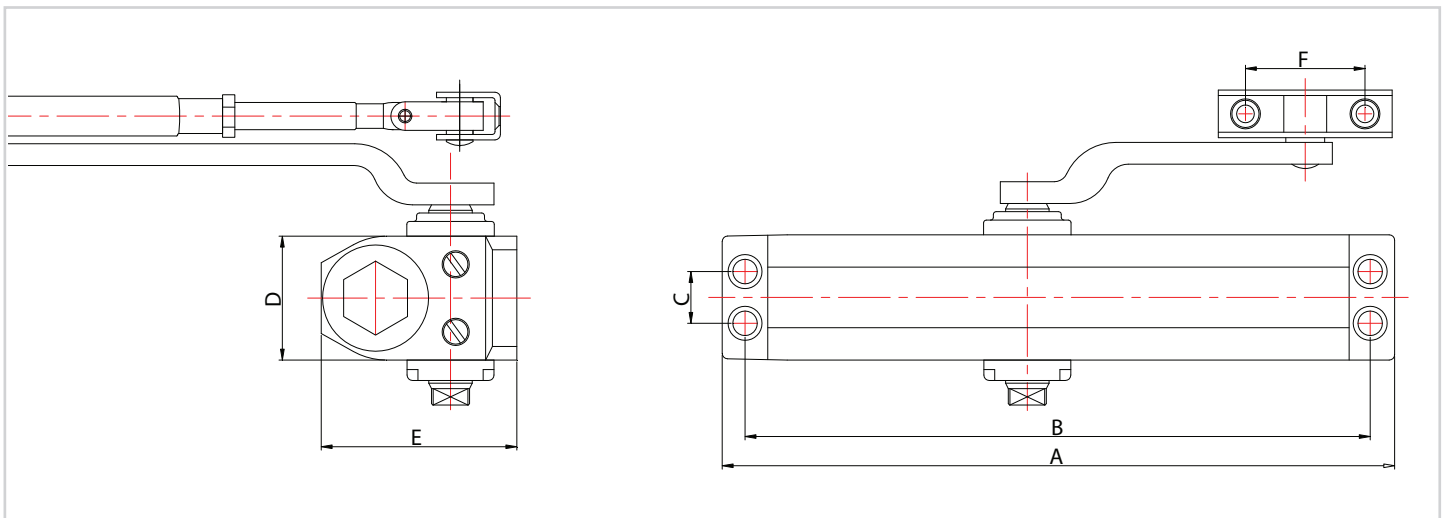
TOP JAMB MOUNT  
(PUSH SIDE)



PARALLEL MOUNT  
(PUSH SIDE)



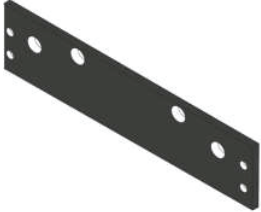


### TECHNICAL DIMENSIONS



Description	Dimensions
A. Length of Closer Body	9-3/4" (248 mm)
B. Horizontal Mounting Holes	9-1/16" (230 mm)
C. Vertical Mounting Holes	3/4" (19 mm)
D. Closer Body Height	1-31/32" (50 mm)
E. Projection from Door	2-29/32" (73 mm)
F. Arm Shoes Spacing	1-3/4" (44 mm)

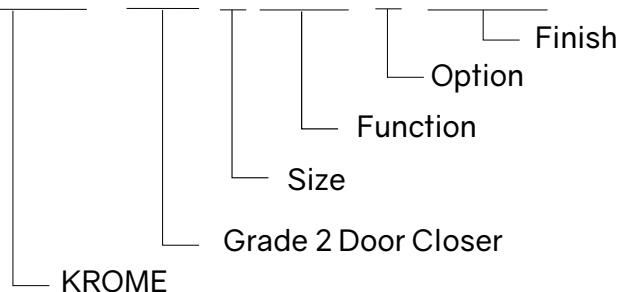
Maximum Size of Door							
Regular & Top Jamb				Parallel Arm			
Closer Size	Interior	Exterior Inswing	Exterior Outswing	Closer Size	Interior	Exterior Outswing	Applicable Door Weight Lbs (Kg)
2	36"(0.91m)	N/A	N/A	2	30"(0.76m)	N/A	66-99 (30-45)
3	42"(1.07m)	30"(0.76m)	36"(0.91m)	3	36"(0.91m)	30"(0.76m)	99-143 (45-65)
4	48"(1.22m)	36"(0.91m)	42"(1.07m)	4	42"(1.07m)	36"(0.91m)	143-187 (65-85)
5	54"(1.37m)	42"(1.07m)	48"(1.22m)	5	48"(1.22m)	42"(1.07m)	187-264 (85-120)

### OPTIONAL ACCESSORIES

Regular or Top Jamb Narrow Drop Plate		Item number: DP911TJ Available finsh: AL
Parallel Arm Drop Plate		Item number: DP911PA Available finsh: AL
Friction type hold open arm with parallel arm bracket		Special Order Available finsh: AL
Sex Nuts (4 PCS/PACK)		Special Order Available finsh: AL

### HOW TO ORDER

**KROM - 9 2 1 B C H 6 8 9**



Item Number	Size	Function	Option	Finish
92	Adjustable 2-5 (1)	Backcheck (BC)		Aluminum (689) Duro (Special Order)
92	Adjustable 2-5 (1)	Backcheck (BC)	Hold open (H)	Aluminum (689) Black (693)

Note: Tri-packed, with backcheck.