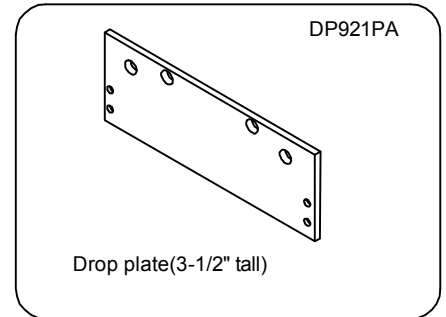
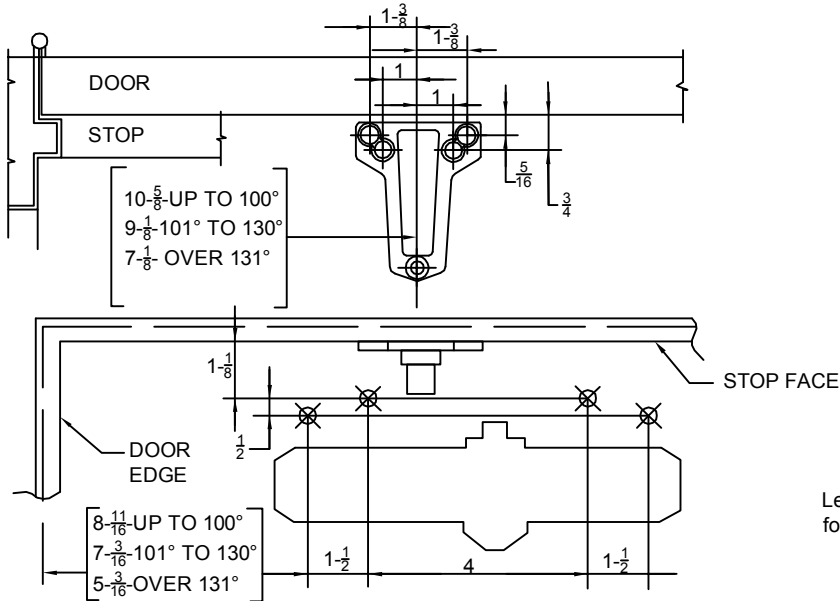


921BC Door Closers Installation Instructions With Drop Plate.

KROME

Push Side Drop Plates

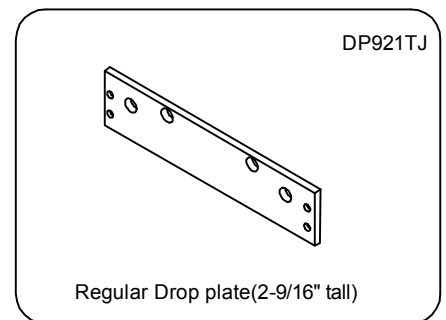
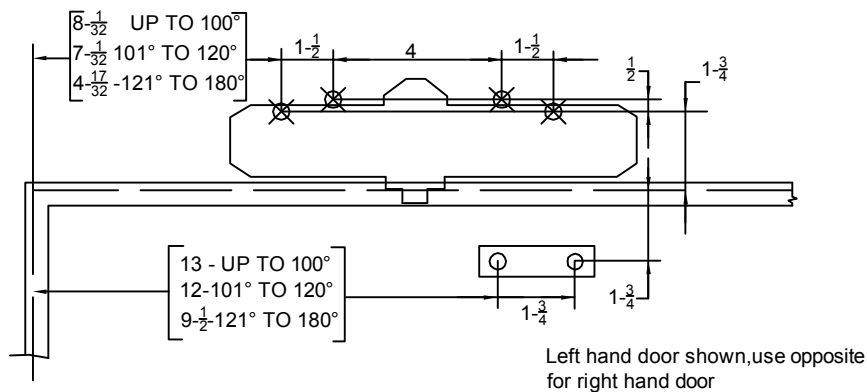
Allows 180° Maximum Opening, Maximum Hinge Size 5" X 5



Left hand door shown, use opposite for right hand door

Push Side Top Jamb Drop Plates

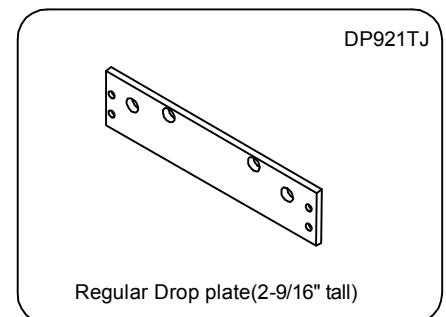
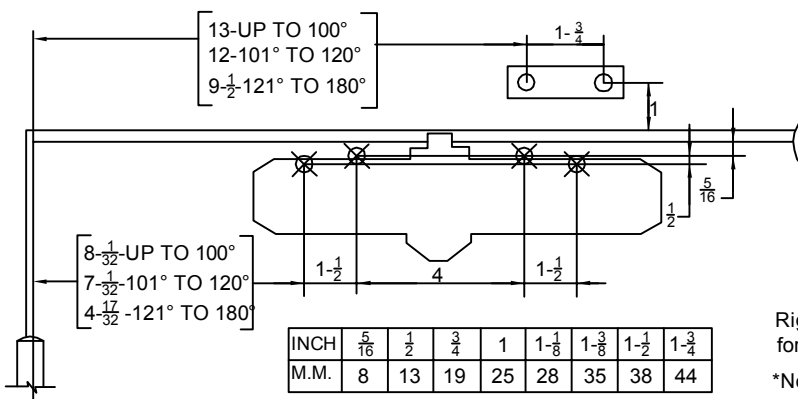
Allows 120° Maximum Opening, Maximum Hinge Size 5" X 5



Left hand door shown, use opposite for right hand door

Pull Side Door Jamb Drop Plates

Allows 120° Maximum Opening, Maximum Hinge Size 5" X 5



Right hand door shown, use opposite for left hand door

*Note: If offset pivots are used, increase these dimensions by 1/8"

INCH	5/16	1/2	3/4	1	1-1/8	1-3/8	1-1/2	1-3/4
M.M.	8	13	19	25	28	35	38	44
INCH	4	4-17/32	5-3/16	7-1/32	7-1/8	7-3/16	8-1/32	8-11/16
M.M.	102	115	131	178	181	182	204	220
INCH	9-1/8	9-1/2	10-5/8	12	13			
M.M.	232	241	270	304	330			