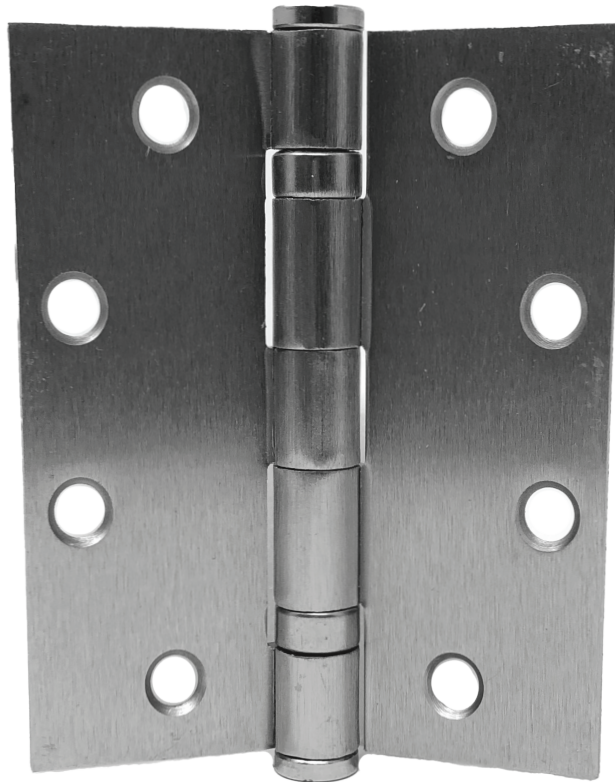
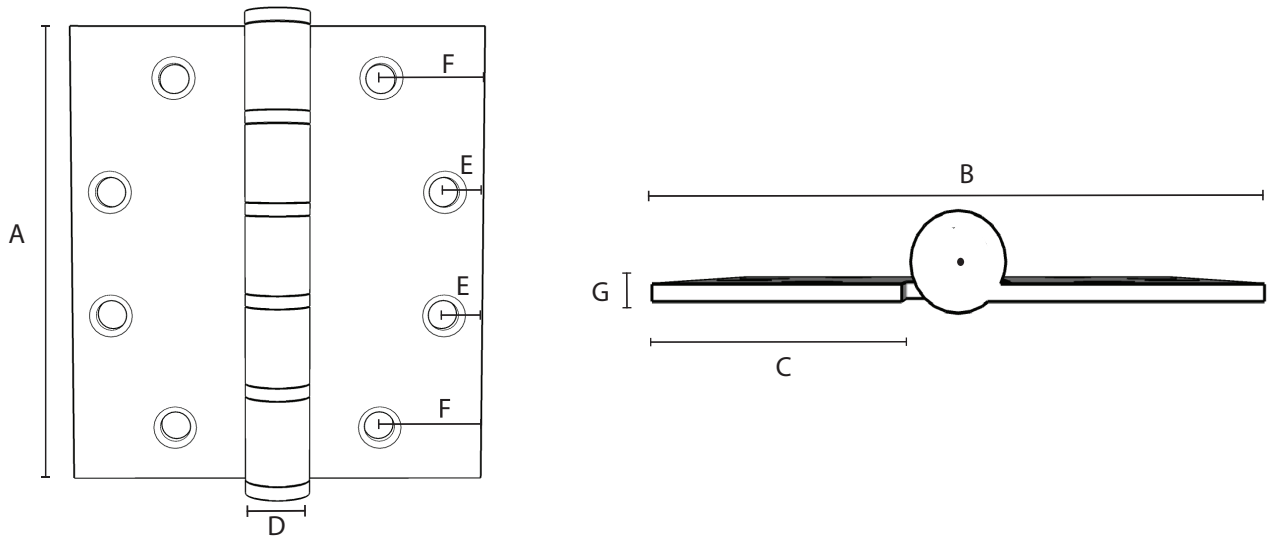


BALL BEARING HINGE**SPECIFICATIONS**

- Standard Duty, 2 BB
- Conforms to ANSI/ BHMA
- Full Mortise
- Square Corner STD/ $\frac{1}{4}$ " Radius Optional
- Base material: Steel/ Stainless Steel
- Fasteners: Packed with wood and machine screws
- Warranty: 1 year

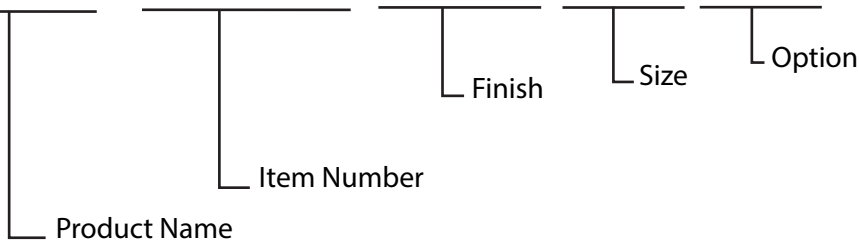
TECHNICAL DIMENSIONS



Description	Dimensions
A. Total Length of Hinge	4.5" (114 mm)
B. Total Width of Hinge	4" (102 mm)
C. Leaf Width	1.69" (43.06 mm)
D. Pin Diameter	.625" (15.87 mm)
E. Edge of Leaf to Centre of Outer Screw Holes	.375" (9.52 mm)
F. Edge of Leaf to Centre of Inner Screw Holes	1" (25.4 mm)
G. Metal Gauge	.134" (3.40 mm)

HOW TO ORDER

KROM-H B B 7 9 C 2 6 D 4 5 4 N R P



Item Number	Finish	Size	Option
HBB79 Grade: Standard Duty 2 Ball Bearing	C26D (Satin Chrome) C32D (Stainless Steel) C15 (Satin Nickel) C19 (Black)	4.5" x 4"	No option (Standard) NRP (Non-removable pins)
	C26D (Satin Chrome)	4.5" x 4"	R (1/4" Radius)
	C26D (Satin Chrome)	4" x 4" 4.5" x 4.5"	NRP (Non-removable pins)