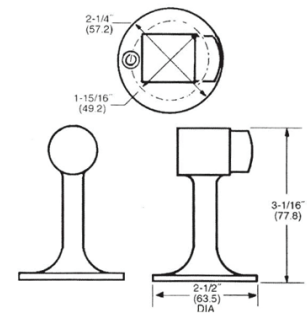


### HEAVY DUTY FLOOR DOOR STOP



#### SPECIFICATIONS

- Solid brass
- For doors undercut up to 2-1/2" (63mm)
- Non marking rubber tip
- Meets ANSI A156.16 BHMA L12121 or L12131
- Supplied with lag screw for wood and expansion shield for concrete
- Finish: C26D (satin chrome)



#### HOW TO ORDER

K R O M - F S 6 C 2 6 D

└── KROME

└── HD Floor Stop

└── Finish

Item Number	Finish	Note
FS6	Satin Chrome (C26D)	