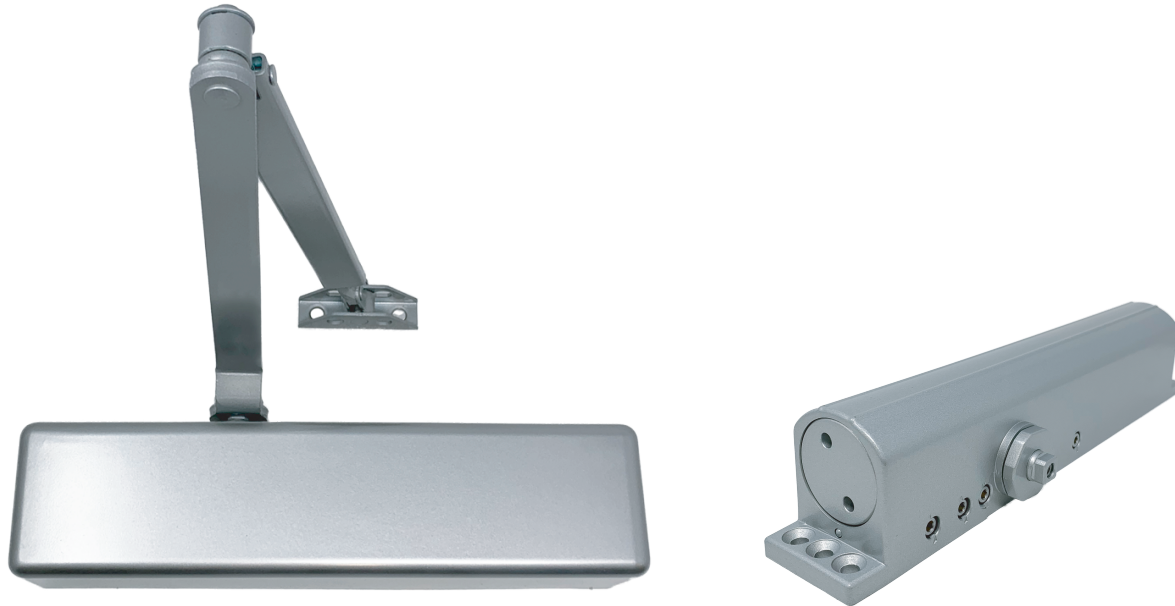


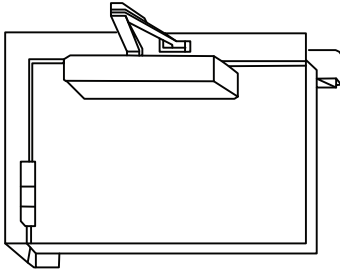
GRADE 1 HEAVY DUTY COMMERCIAL DOOR CLOSER



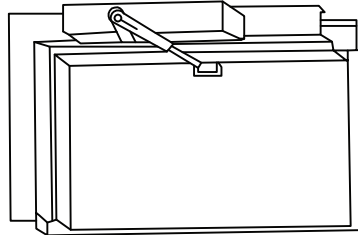
SPECIFICATIONS

- Certification:
 - ANSI/BHMA A 156.4 Grade 1
 - UL/CUL Listed
 - UL 10C 3 hours fire rating
 - Meets ADA 5lbs opening force
- Materials of Closer body: Die Cast Aluminum
- Materials of Closer arm: Stamped Steel
- Handing: Non handed
- Cover: Full plastic cover included
- Adjustment:
 - Spring power size adjustable 1-6
 - Adjustable backcheck
 - Adjustable sweep speed
 - Adjustable latching speed
 - Adjustable delayed action
- Rack and Pinion: Double Heat treated
- Bearings: Full needle bearing for high efficiency
- Fluid: Anti-freeze and fire-proof
- Screws: Standard packing, sex nuts included
- Finish: Aluminum, Dark Bronze, Black
- Installation type: Tri-packed (regular arm, top jamb and Parallel arm mounting)
- Limited Warranty: 5 years

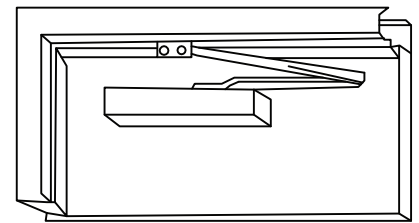
STANDARD MOUNT
(PULL SIDE)



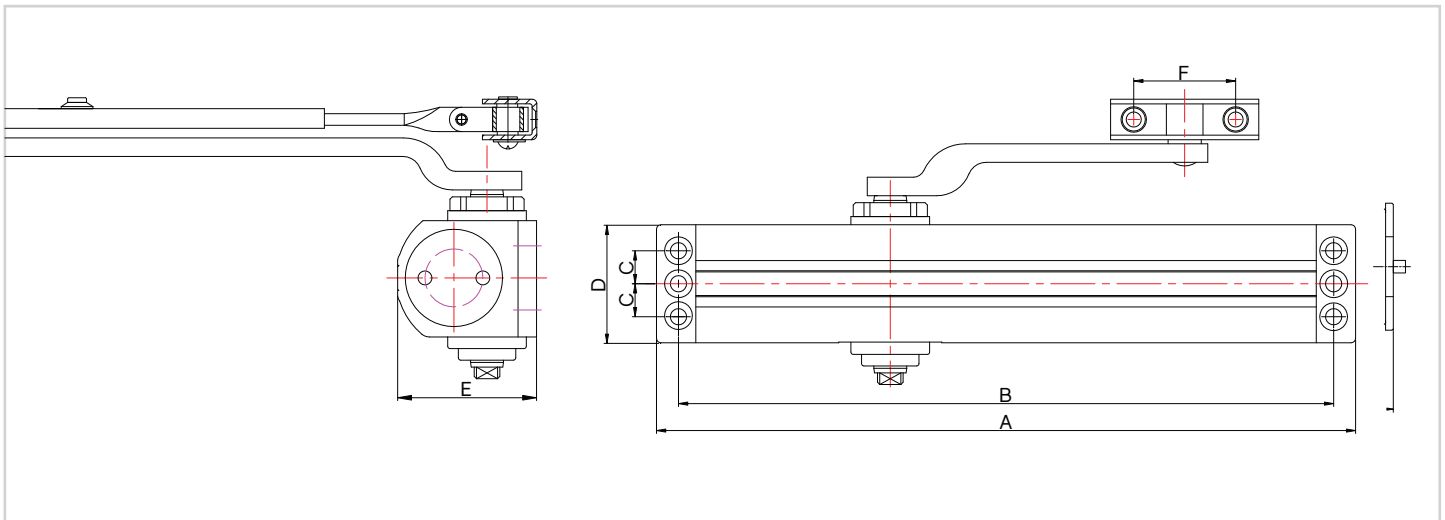
TOP JAMB MOUNT
(PUSH SIDE)



PARALLEL MOUNT
(PUSH SIDE)



TECHNICAL DIMENSIONS



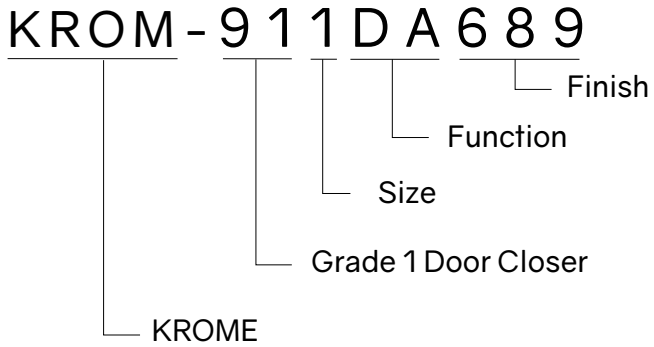
Description	Dimensions
A. Length of Closer Body	11-7/8" (302 mm)
B. Horizontal Mounting Holes	11-1/8" (282.5 mm)
C. Vertical Mounting Holes	9/16" (14.3 mm)
D. Closer Body Height	2" (51 mm)
E. Projection from Door	2-3/8" (60mm)
F. Arm Shoes Spacing	1-3/4" (44 mm)

Maximum Size of Door							
Regular & Top Jamb				Parallel Arm			
Closer Size	Interior	Exterior Inswing	Exterior Outswing	Closer Size	Interior	Exterior Outswing	Applicable Door Weight Lbs (Kg)
1	28" (0.71m)	N/A	N/A	1	N/A	N/A	33-66 (15-30)
2	36" (0.91m)	N/A	N/A	2	30" (0.76m)	N/A	66-99 (30-45)
3	42" (1.07m)	30" (0.76m)	36" (0.91m)	3	36" (0.91m)	30" (0.76m)	99-143 (45-65)
4	48" (1.22m)	36" (0.91m)	42" (1.07m)	4	42" (1.07m)	36" (0.91m)	143-187 (65-85)
5	54" (1.37m)	42" (1.07m)	48" (1.22m)	5	48" (1.22m)	42" (1.07m)	187-264 (85-120)
6	60" (1.52m)	48" (1.22m)	54" (1.37m)	5	54" (1.37m)	48" (1.22m)	264-330 (120-150)

OPTIONAL ACCESSORIES

<p>Regular or Top Jamb Narrow Drop Plate (2" Tall)</p>		<p>Item number: DP911TJ Available finsh: Aluminum (689)</p>
<p>Parallel Arm Drop Plate (3-9/16" Tall)</p>		<p>Item number: DP911PA Available finsh: Aluminum (689)</p>
<p>Friction type hold open arm</p>		<p>Item number: A911HO Available finsh: Aluminum (689)</p>
<p>Cush Stop Arm</p>		<p>Item number: A911CSA Available finsh: Aluminum (689)</p>
<p>Cush Stop Hold Open Arm</p>		<p>Item number: A911CSAHO Available finsh: Aluminum (689)</p>
<p>Spring Cushion for cush or cush hold open arm</p>		<p>Item number: A911S Available finsh: Aluminum (689)</p>
<p>Stainless Steel Cover</p>		<p>Special Order Available finsh: Polished Chrome (US26)</p>
<p>Extended Long Rod and Shoe</p>		<p>Item number: A911ELRS Available finsh: Aluminum (689)</p>

HOW TO ORDER



Item Number	Size	Function	Finish
91	Adjustable 1-6 (1)	Delayed Action (DA)	Aluminum (689) Dark Bronze (695) Black (693)

Note: Tri-packed, with backcheck and delayed action