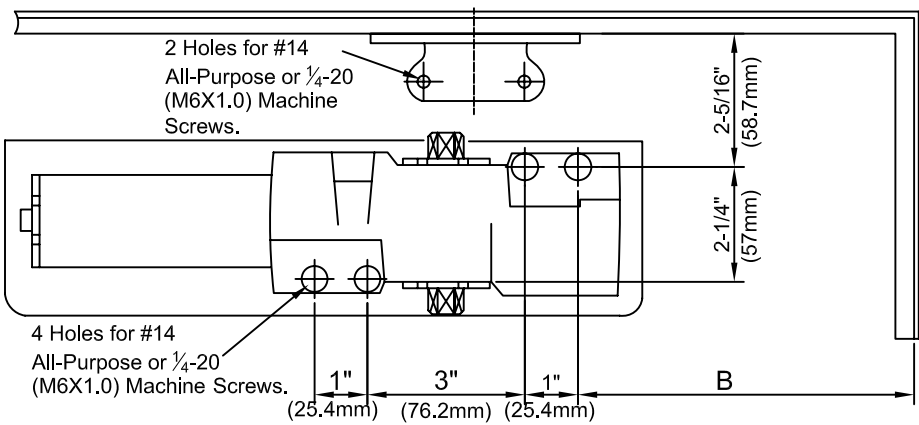
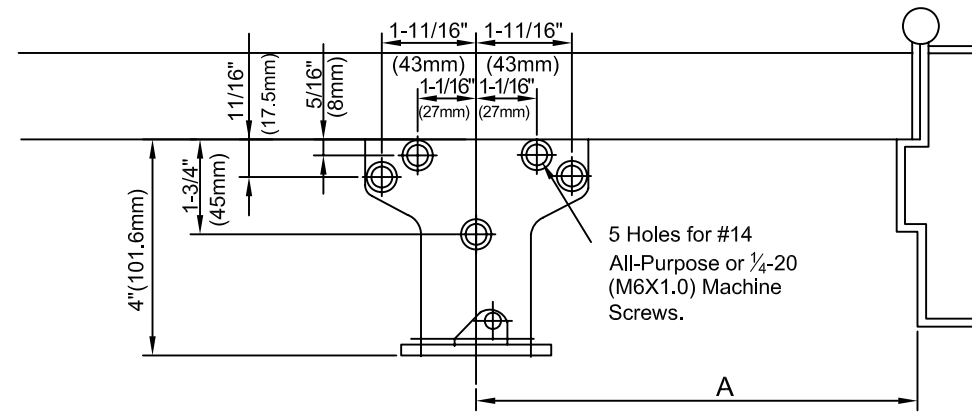


PARALLEL ARM INSTALLATION CLOSER MOUNTED ON DOOR ON PUSH SIDE

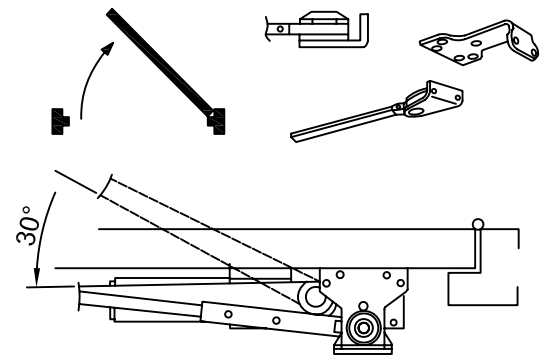
This drawing shown is RIGHT HAND DOOR, For LEFT HAND DOOR should be install in symmetry



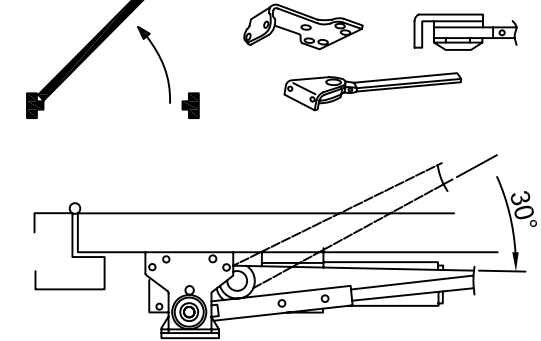
OPENING	"A"	"B"	
TO 100°	9-7/16" (240)	8-3/4" (210)	
* TO 120°	8 5/8" (220)	7-5/16" (185)	♿
* TO 180°	7 7/8" (200)	6- 1/2" (165)	♿

* Recommended mounting for meeting ADA compliance
* When door closer is installed and adjusted to conform to ADA reduced opening force requirements (5 lbs max.), it may not have adequate closing force to reliably close and latch the door.

RIGHT HAND DOOR



LEFT HAND DOOR



1. Before installation, turn Backcheck selector valve (Found on the opposite side of closer) ALL THE WAY IN(CLOCKWISE).
2. Adjust spring power to match door width as indicated by chart on page 1.
3. Mount closer on door as dimensions shown. Tube end toward latch.If pivots are used , locate closer and parallel bracket from CENTERLINE OF PIVOT.
4. Place open end wrench on bottom shaft and turn toward hinge jamb about 30° and then place main arm on top shaft, insert arm screw into top of shaft and tighten.
5. Attach parallel bracket on frame using dimensions shown.
6. Attach rod and shoe to parallel bracket as shown.
7. Insert rod into forearm, and adjust the length of the forearm so that the main arm is parallel to door. Then insert forearm set screw and tighten.

(THE NUT IS ON THE TOP FOR RH DOOR AND BOTTOM FOR LH DOOR)

REGULATION:

A ' normal ' closing time from 90° open position to door stop position is 4-6 seconds, evenly divided between main swing speed and latch swing speed. Use allen key (Furnished) to adjust speed. To slow main speed of door, turn regulating screw nearest shaft clockwise. To slow latch speed, turn regulating screw nearest hinge e clockwise.

BACKCHECK AND DELAYED ACTION

To increase back-check force, turn regulating screw clockwise. DO NOT USE ABRUPT BACKCHECK OR EXPECT DOOR CLOSER TO ACT AS A DOOR STOP.

To Increase the Delayed closing time, turn the DA screw clockwise.

COVER

Place insert in Proper cutout, then push cover aga inst door. Tighten both cover screw securely.

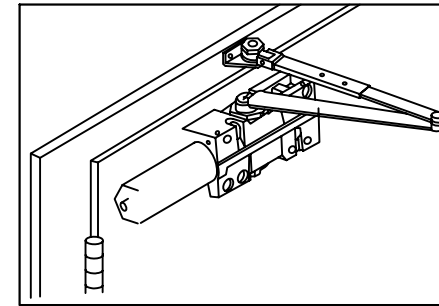
HOLD OPEN ADJUSTMENT

Loose adjusting nut, open door to required hold open position and tighten the nut. Do not permit door to swing beyond hold open setting.

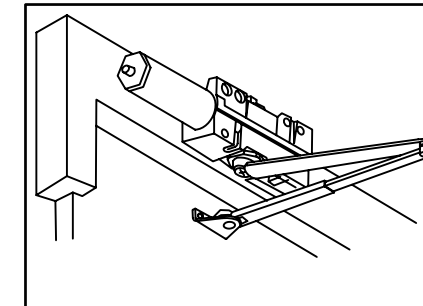
KROME

910DA DOOR CLOSER INSTALLATION INSTRUCTIONS Grade 1, with A910HO arm

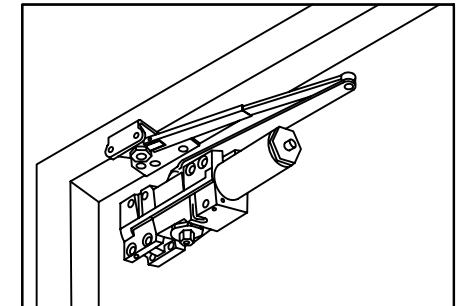
STANDARD MOUNT (PULL SIDE)



TOP JAMB MOUNT (PUSH SIDE)



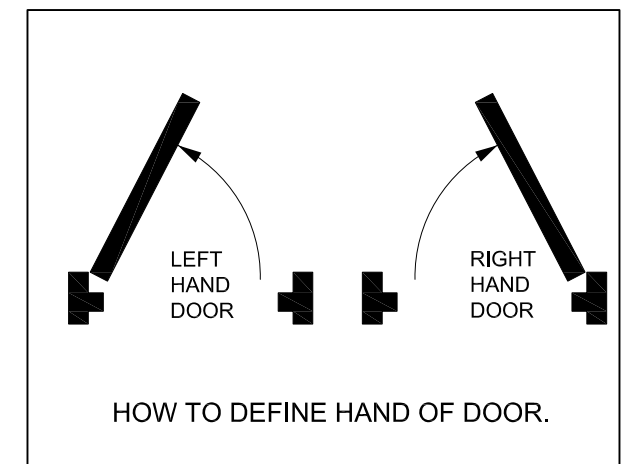
PARALLEL MOUNT (PUSH SIDE)



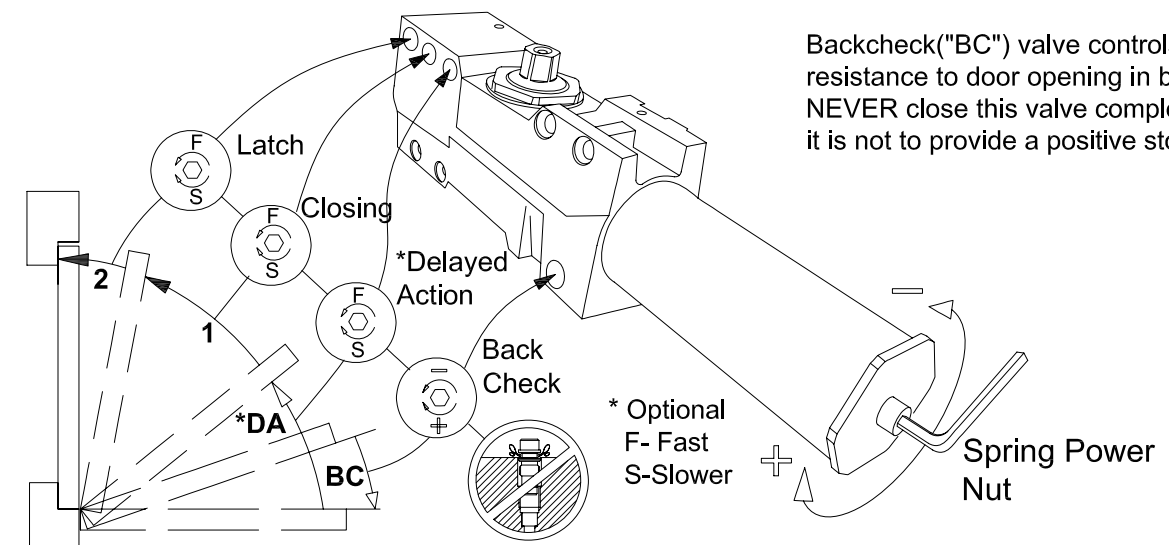
Spring power setting & door width

MAXIMUM DOOR WIDTH		FULL TURNS REQUIRED
EXTERIOR DOORS	INTERIOR DOORS	
—	5 lbs-ADA	5 TURNS C.C.W.
8.5 lbs-ADA	34"(864)	2 TURNS C.C.W.
30"(762)	38"(962)	0 TURNS
36"(914)	48"(1219)	5 TURNS C.W.
42"(1067)	54"(1372)	10TURNS C.W.
48"(1219)	60"(1524)	15 TURNS C.W.

C.W-Clockwise
C.C.W-Counter-Clockwise



DOOR CLOSING AND OPENING CONTROL



ATTENTION:

Adjust closing time between 4 to 6 second from 90°. Use of the door by handicapped, elderly or small children may require longer closing time.

Backcheck("BC") valve controls the hydraulic resistance to door opening in backcheck range. NEVER close this valve completely. it is not to provide a positive stop.

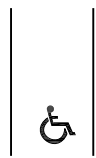
Caution: Do not back valves out of closer or a leaking will result.

1-15/16"
(49.2mm)

11/16"
(17.5mm)

11/16"
(17.5mm)

* Recommended mounting for meeting ADA compliance
 * When door closer is installed and adjusted to conform to ADA reduced opening force requirements (5 lbs max.), it may not have adequate closing force to reliably close and latch the door.

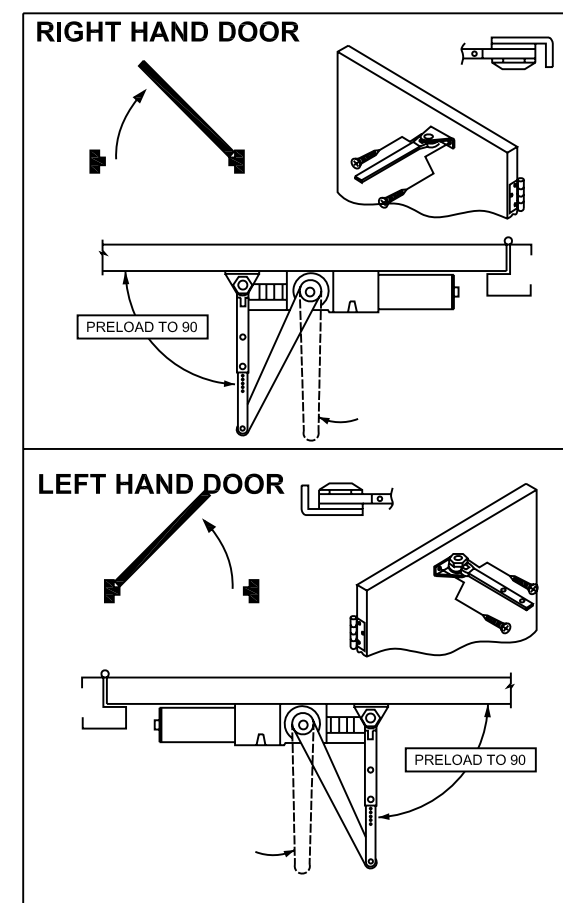
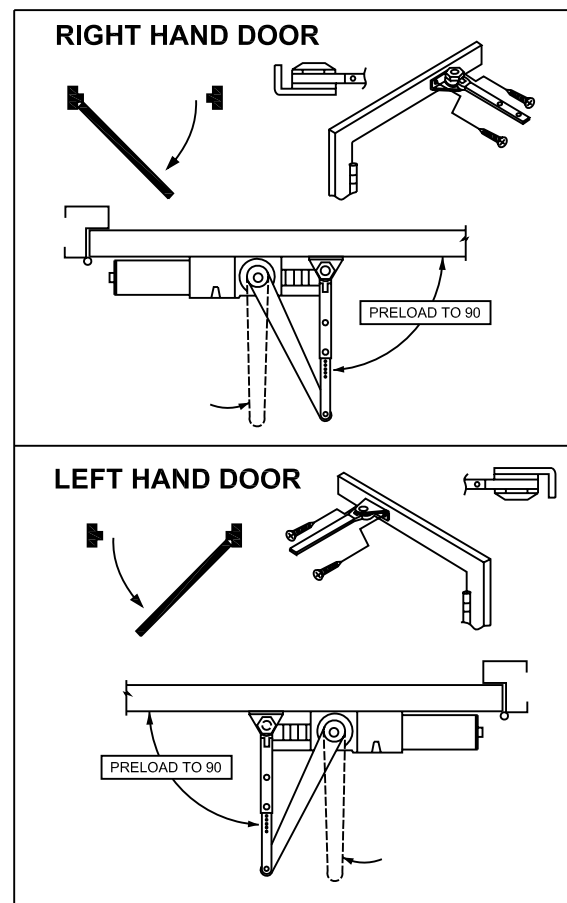


11/16"
(17.5mm)

11/16"
(17.5mm)

* Recommended mounting for meeting ADA compliance
 * When door closer is installed and adjusted to conform to ADA reduced opening force requirements (5 lbs max.), it may not have adequate closing force to reliably close and latch the door.

OPENING	"A"	"B"	
TO 100°	7-5/16" (185)	11-13/16" (300)	
*TO 130°	6-1/4" (159)	10-13/16" (275)	



ON THE TOP FOR LH DOOR AND BOTTOM FOR RH DOOR)

REGULATION:
 A ' normal ' closing time from 90° open position to door stop position is 4-6 secs, evenly divided between main swing speed and latch swing speed. Use socket key (Furnished) to adjust speed. To slow main speed of door, turn regulating screw nearest shaft clockwise. To slow latch speed, turn regulating screw nearest hinge clockwise.

BACKCHECK AND DELAYED ACTION
 To increase back-check force, turn regulating screw clockwise.
DO NOT USE ABRUPT BACKCHECK OR EXPECT DOOR CLOSER TO ACT AS A DOOR STOP.
 To Increase the Delayed closing time, turn the DA screw clockwise.

COVER
 Place insert in Proper cutout, then push cover against door. Tighten both cover screw securely.

HOLD OPEN ADJUSTMENT
 Loose adjusting nut, open door to required hold open position and tighten nut. Do not permit door to swing beyond hold open setting.