

GRADE 1 HEAVY DUTY LEVER LOCKSET

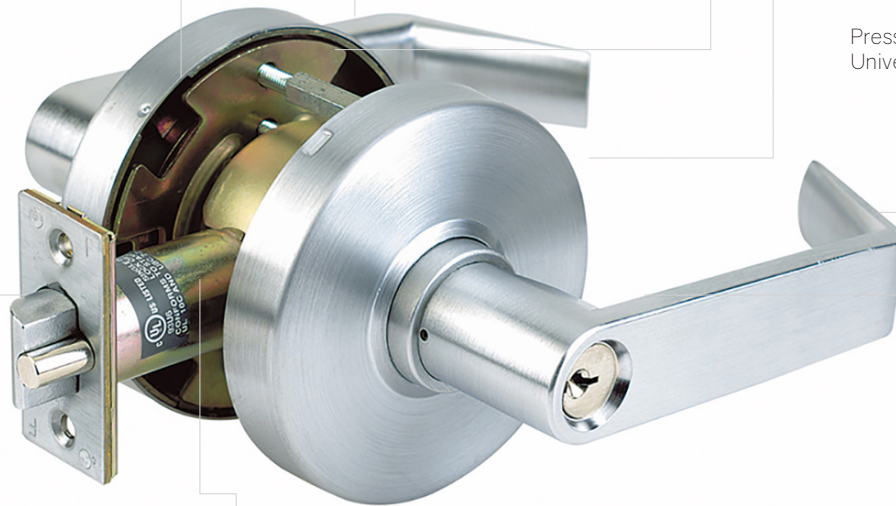
Individual coil compression springs to provide great strength and durability

Meet ANSI hollow metal and wooden door cutout 1-5/8" (40MM) - 1-3/4" (44mm) door thickness

Removable True through-bolting (Convertible thru-bolt) for wooden and steel door

Wrought brass or bronze rose The Anti-sagging mechanism of handle in rose

Pressure cast Solid Zinc Handle Universal, non-handed



Stainless Steel 17/32" (13.5mm) throw deadlatch & spring latch Reversible latch for flat & beveled door

UL Label UL 3 Hour fire rated

Precision solid brass pin tumbler cylinders cap-nut way with brass keys Schlage "C" Keyway & SFIC available



ADA compliant



SPECIFICATIONS

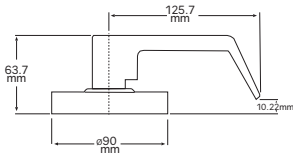
- **Certifications:**
 - ANSI/BHMA A156.2 Series 4000, Grade 1 strength, operational and 1,000,000 cycles requirements
 - UL/cUL Listed
 - UL 10C 3 hours fire rating
 - ADA compliant
- **Door Thickness:** 1-5/8" (40mm) to 1-3/4" (44mm)
- **Backset:** 2-3/4" (70mm) standard, 2-3/8" (60mm) optional
- **Latch Front:** 1-1/8" (29mm) x 2-1/4" (57mm)
- **Latch Bolt:** Stainless Steel 17/32" (13.5mm) throw
- **Strike:** ANSI (ASA) curved lip strike standard.
- **Cylinder & Keys:** Precision solid brass pin tumbler cylinders with nickel silver brass 2 keys. Schlage "C" keyway and SFIC available
- **Small Format Interchangeable Core** available
- **Limited Warranty:** Seven-year Mechanical
- **Flexibility:**
 - Removable convertible post
 - Free wheeling mechanism
 - Various lever designs available
 - Large selection of functions and finishes available
- **Free wheeling mechanism (clutch):** When the outside lever is locked, it will rotate freely up and down while remaining securely locked.



TECHNICAL DIMENSIONS

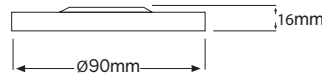
Lever Design:

Lever (L)

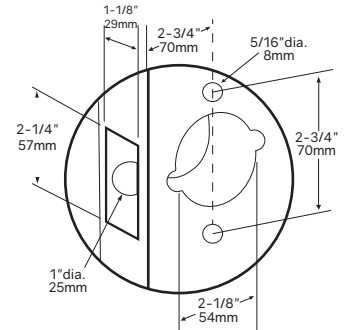


Rose Design:

Flat Rose (F)

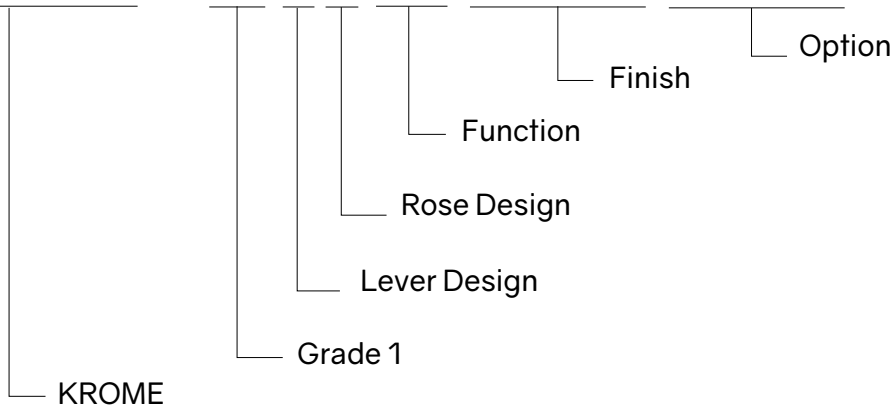


Door Preparation:



HOW TO ORDER

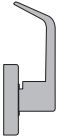
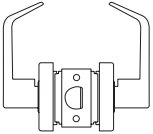
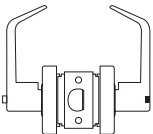
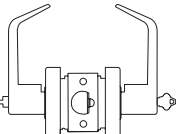
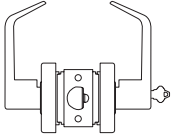
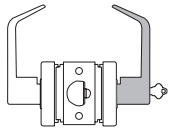
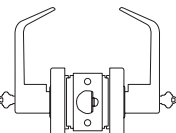
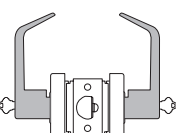
K R O M - 1 1 L F 5 3 C 2 6 D S F I C



| Item Number | Rose | Function | Finish | Option |
|-------------|----------|--|---------------------|--|
| 11L | Flat (F) | Dummy (00) Passage (10) Privacy (40) Entry (53) Classroom (70) Classroom Double (72) Storeroom (80) Storeroom Double (82) | Satin Chrome (C26D) | Clutch (C) Small Format Interchangeable Core (SFIC) available for certain functions |

Note: Default Schlage Keyway
SFIC not available for functions 72 and 82

FUNCTIONS

| Outside | Inside | Type | ANSI | Function Description |
|---|---|-------------------------------------|-------|---|
| |  | Dummy (00) | - | <ul style="list-style-type: none"> Lever acts as pull only; no operation |
|  | | Passage (10) | HF 75 | <ul style="list-style-type: none"> Latchbolt by lever either side Both levers always free |
|  | | Privacy Bedroom or Bathroom (40) | HF 76 | <ul style="list-style-type: none"> Latchbolt by lever either side, except when push button locks outside lever. (Lever handle is free-wheeling in locked position.) Outside lever locked by push button Outside lever unlocked by emergency release tools by rotating inside lever or by closing door |
|  | | Entrance or Office (53) | HF 81 | <ul style="list-style-type: none"> Deadlocking latchbolt by either side except when turn button locks outside lever (Lever handle is free wheeling in locked position) Pushing turn button locks outside lever, requiring use of key outside to unlock Turning inside lever unlocks outside lever Pushing in and turning button locks outside lever, requiring key at all times. Turning inside lever does not unlock outside lever until button is manually turned to unlocked position |
|  | | Classroom (70) | HF 84 | <ul style="list-style-type: none"> Deadlocking latchbolt by lever either side except when key outside locks outside lever (Lever handle is free-wheeling in locked position.) Outside lever unlocked by key outside Inside lever always free |
|  | | Storeroom (80) | HF 86 | <ul style="list-style-type: none"> Deadlocking latchbolt by key in outside lever or by rotating inside lever (Lever handle is free-wheeling in locked position.) Outside lever always locked Inside lever always free |
|  | | Communicating Double Classroom (72) | HF 88 | <ul style="list-style-type: none"> Key in either lever locks or unlocks its own lever independently |
|  | | Communicating Double Storeroom (82) | HF 87 | <ul style="list-style-type: none"> Bothside lever rigid Bothside lever operated by key only |