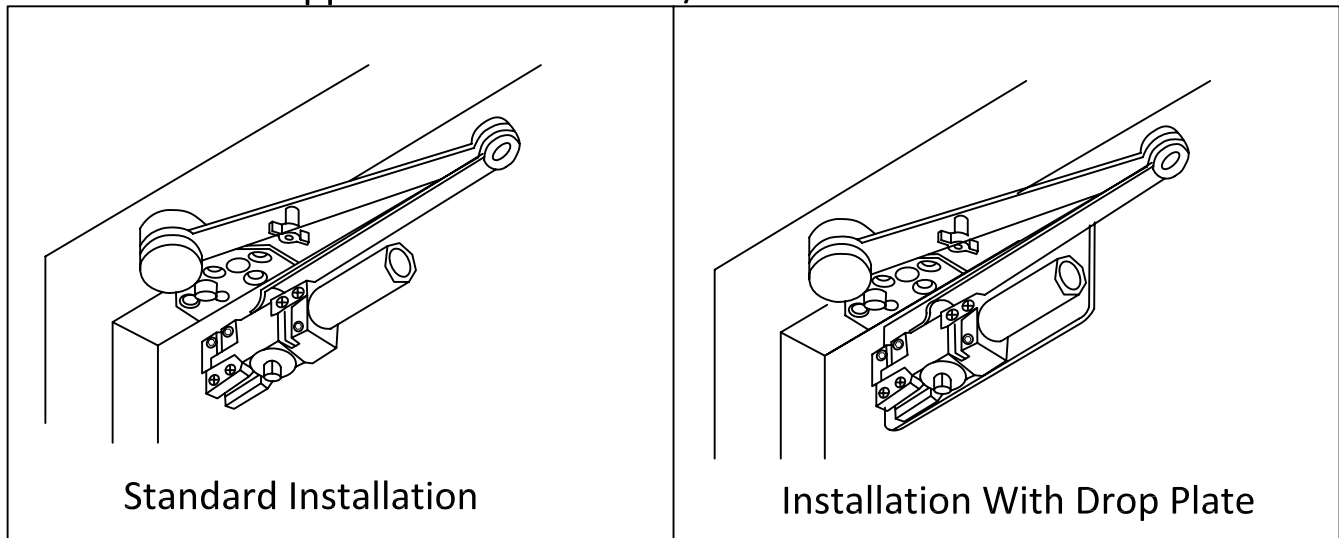


PUSH SIDE MOUNTED (PARALLEL ARM)

For application of A910CSA/A910CSAHO Arm



GENERAL NOTES

This closer is non handed and designed to meet entrance accessibility requirements. Before installation, determine hand of door first. Refer to the drawing (right).

It can be adjusted to handle all exterior doors up to 48" and interior doors up to 60" wide. Adjust the spring power as shown before installing the closer. Turn the spring adjustment nut clockwise (C.W) or counter-clockwise(C.C.W) the required number of turns to match door width as indicated in chart below.

MAXIMUM DOOR WIDTH		FULL TURNS REQUIRED
EXTERIOR DOORS	INTERIOR DOORS	
	5lbs-1*	5 Turns C.C.W
8.5lbs-1*	34"	2 Turns C.C.W
30"	38"	0 Turns
36"	48"	5 Turns C.W
42"	54"	10 Turns C.W
48"	60"	15 Turns C.W

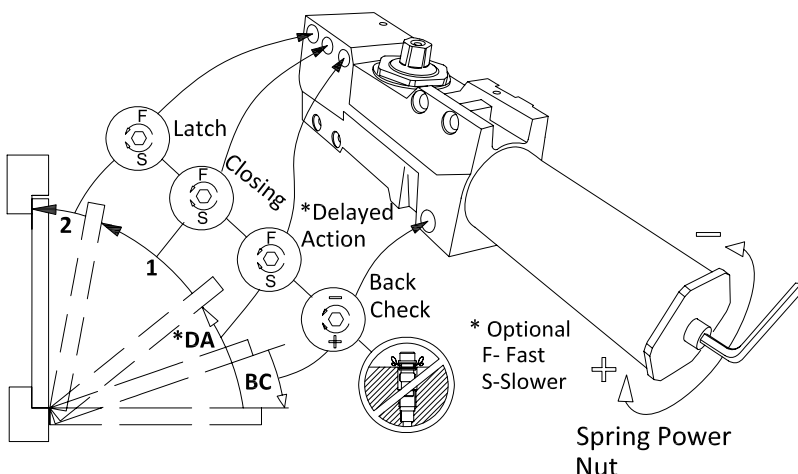
* Opening Force on 36" Door.

IMPORTANT

When adjusting spring power, DO NOT exceed the maximum number of turns in either direction! Beyond either maximum number of turns may damage closer.

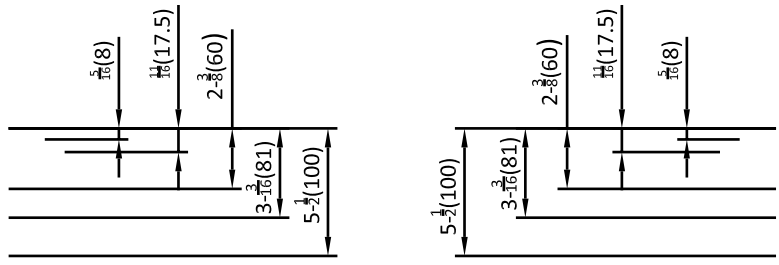
ATTENTION:

Adjust closing time between 4 to 6 second from 90°. Use of the door by handicapped, elderly or small children may require longer closing time.

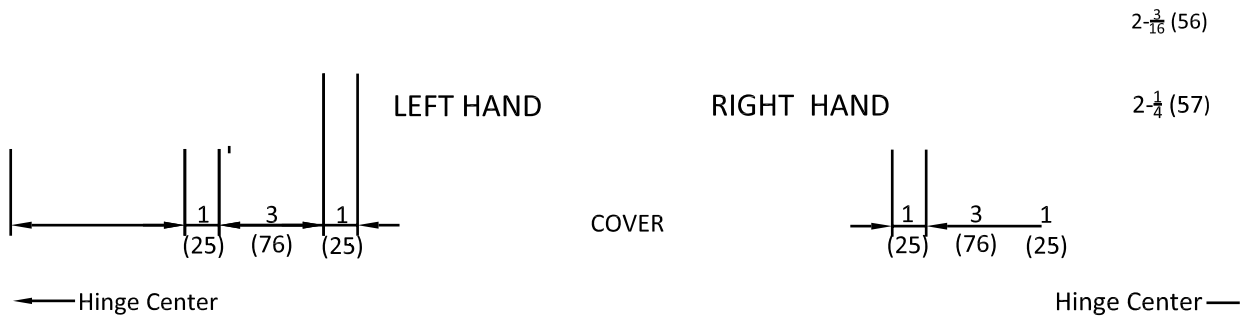


Caution: Do not back valves out of closer or a leaking will result.

Standard Installation

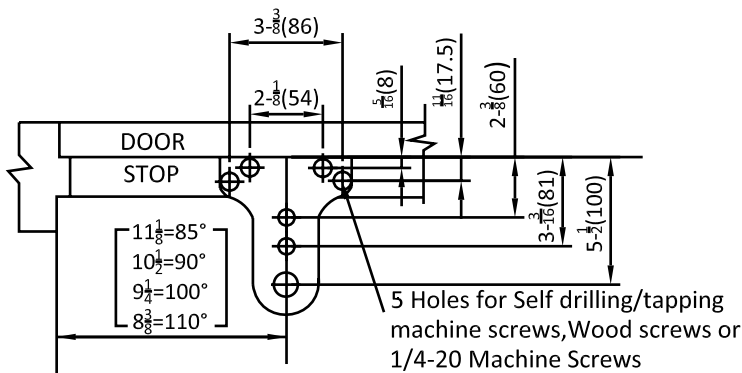


5 Holes for Self drilling/tapping machine screws, Wood screws or 1/4-20 Machine Screws

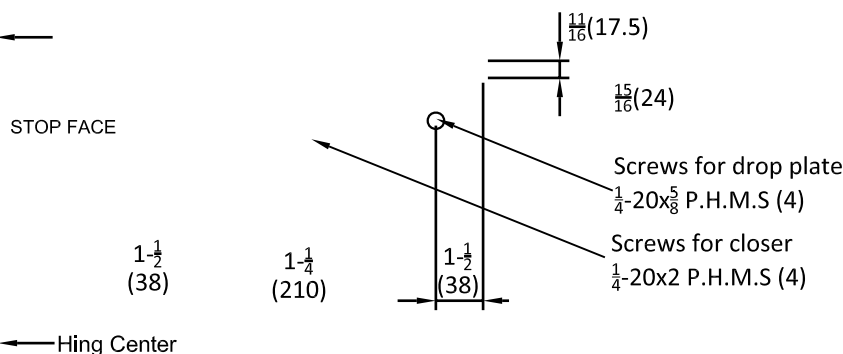


Before installing mounted stop face (parallel arm), turn Backcheck selector valve (found in opposite side of closer from regulating screws side) all the way in (clockwise) !

Installation With Drop Plate



USE SPACER BLOCK PROVIDED FOR FIFTH SCREW

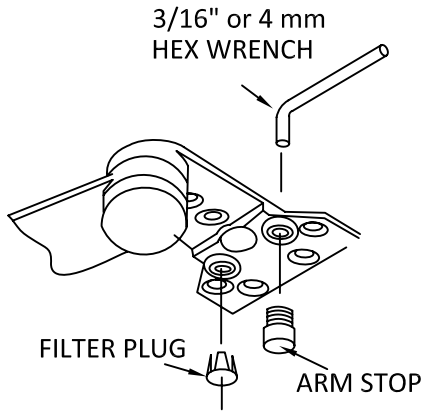


Min. 2 1/2

LEFT HAND DOOR SHOWN, RIGHT HAND DOOR OPPOSITE

RIGHT HAND ASSEMBLY SHOWN

Fig.1



Both the CSA and CSHO shoes must be "Handed" to match door. Before mounting, see Fig.1.

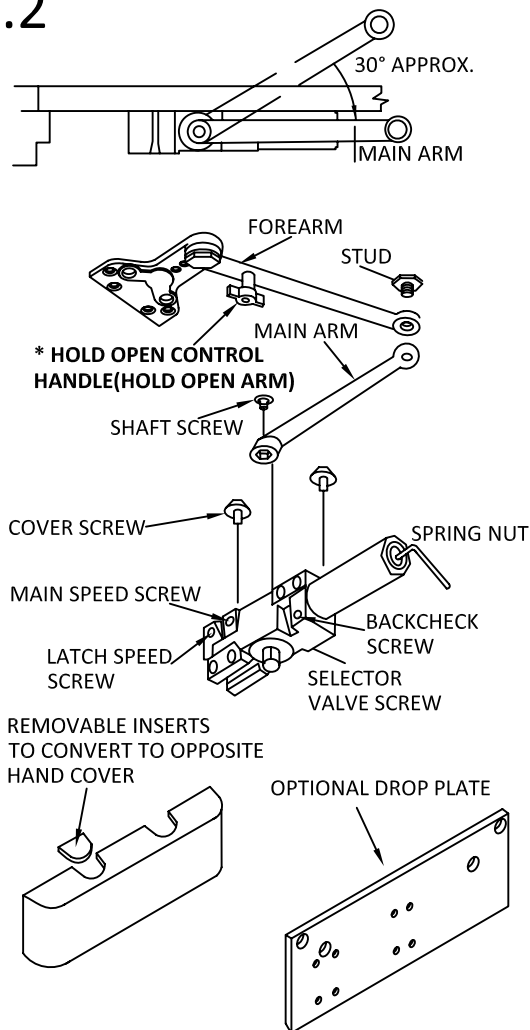
For left hand doors: All shoes are shipped assembled for left hand doors. Insert 3/16" (4mm) Hex Wrench into arm stop and turn clockwise to seat stop as tightly as possible.

For Right hand doors: (See illustration) Push filter plug out of shoe. Using 3/16"(4 mm) Hex wrench, turn arm stop counter-clockwise to remove from shoe. Turn clockwise to seat stop as tightly as possible. Insert filter plug into other hole.

CAUTION

IMPROPER INSTALLATION MAY RESULT IN PERSONAL INJURY OR PROPERTY DAMAGE. FOLLOW ALL INSTRUCTIONS CAREFULLY PLEASE.

Fig.2



*** HOW TO HOLD -OPEN**

A quarter turn on the HOLD-OPEN CONTROL HANDLE engages or disengages hold-open.

INSTALLATION & ADJUSTMENT INSTRUCTIONS

(LEFT HAND SHOWN-RIGHT HAND IN OPPOSITE)

Before installing the arm, turn backcheck selector (on back of closer) all the way in.

1. Adjust spring power to match door width as indicated by chart on page 1.
2. Select proper template based on degree of opening /dead stop. The closer and arm holes must be located for same degree of opening/dead stop. Drill and or tap mounting holes in door and head jamb.
3. Attach complete arm to closer as shown at left . Arm will be at about 30° angle to closer body. Fasten with arm shaft screw. The arm will appear to be in an incorrect position. This is to accommodate the pre-load required for parallel arm mounted door closer. See Fig.2
4. Mount closer on door using fasteners provided. NOTE: Arm will provide resistance.
5. Swing door open about 45°. Mount shoe to frame stop per proper template. Be sure to install the "Fifth" screw. If Stop is not wide enough, use spacer block provided.

REGULATION

This closer has been regulated prior to shipment. If adjustments are necessary. Carefully follow instructions:
CLOSING SPEED: See closer control diagram on page 1. To adjust main speed, turn the screw clockwise to decrease or counter-clockwise to increase. To adjust latch speed, turn the screw clockwise to decrease or counter-clockwise to increase. The screw locations are shown at left on label.

BACKCHECK: is essential for proper operation of cush-stop. Use enough backcheck to prevent arm from striking arm stop with impact .To increase resistance, turn the screw clockwise.

-DO NOT USE ABRUPT BACKCHECK!

6. Attach cover: Place cover insert into proper slots for either R.H or L.H door. Place cover over closer and hold against door while tightening cover screw firmly.