

MORTISE LOCKS

Deadbolt



Deadlatch



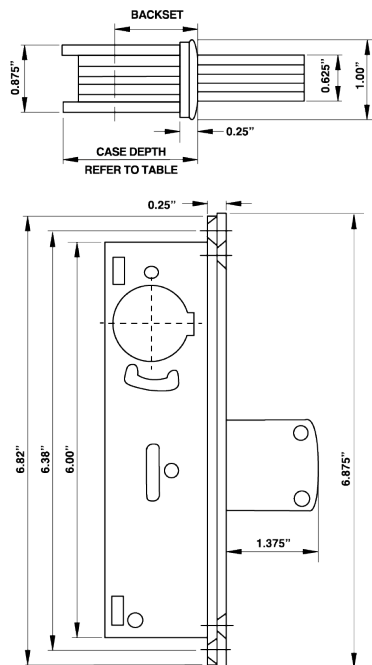
SPECIFICATIONS

- Function: Deadbolt, Deadlatch
- Backset: 31/32", 1-1/8"
- Hand: Non handed, easily reversible
- Faceplate: 1"W x 6-7/8"L, aluminum
- Case dimensions: 7/8"W x 6"L x Depth specific to backset
- Latchbolt:
 - Deadbolt: 5/8"W x 2-7/8": x 1-3/8" throw
 - Deadlatch: 1/2" W x 1" L x 1/2" throw
- Deadlatch: Zinc alloy latchbolt with Delrin plastic insert, auxiliary bolt zinc diecast, deadlocks latchbolt and prevents manipulation

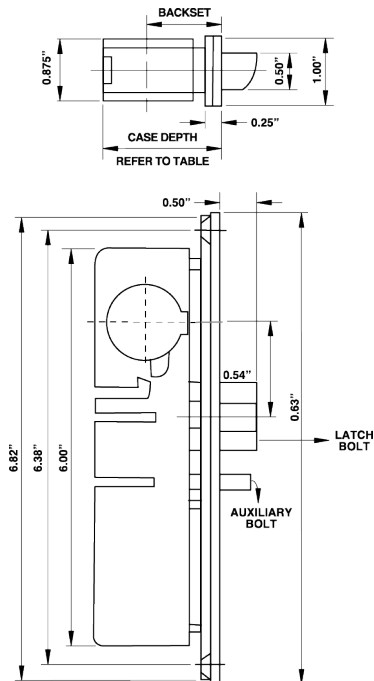
Function	Lock Basket	Case Depth
Deadbolt	31/32" - 1-1/8"	1.63" - 1.78"
Deadlatch	31/32" - 1-1/8"	1.63" - 1.76"

TECHNICAL DIMENSIONS

Deadbolt

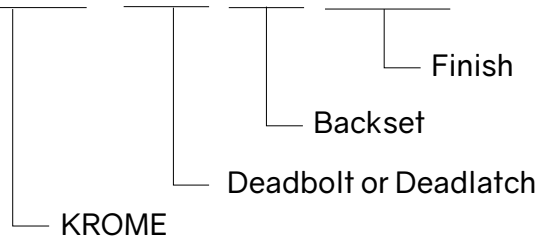


Deadlatch



HOW TO ORDER

KROM-DB03C28



Item Number	Backset	Finish	Note
DB	31/32" (02)	Aluminum (C28)	Reversible, with faceplate
	1-1/8" (03)		
DL	31/32" (02)	Aluminum (C28)	Reversible, with faceplate
	1-1/8" (03)		