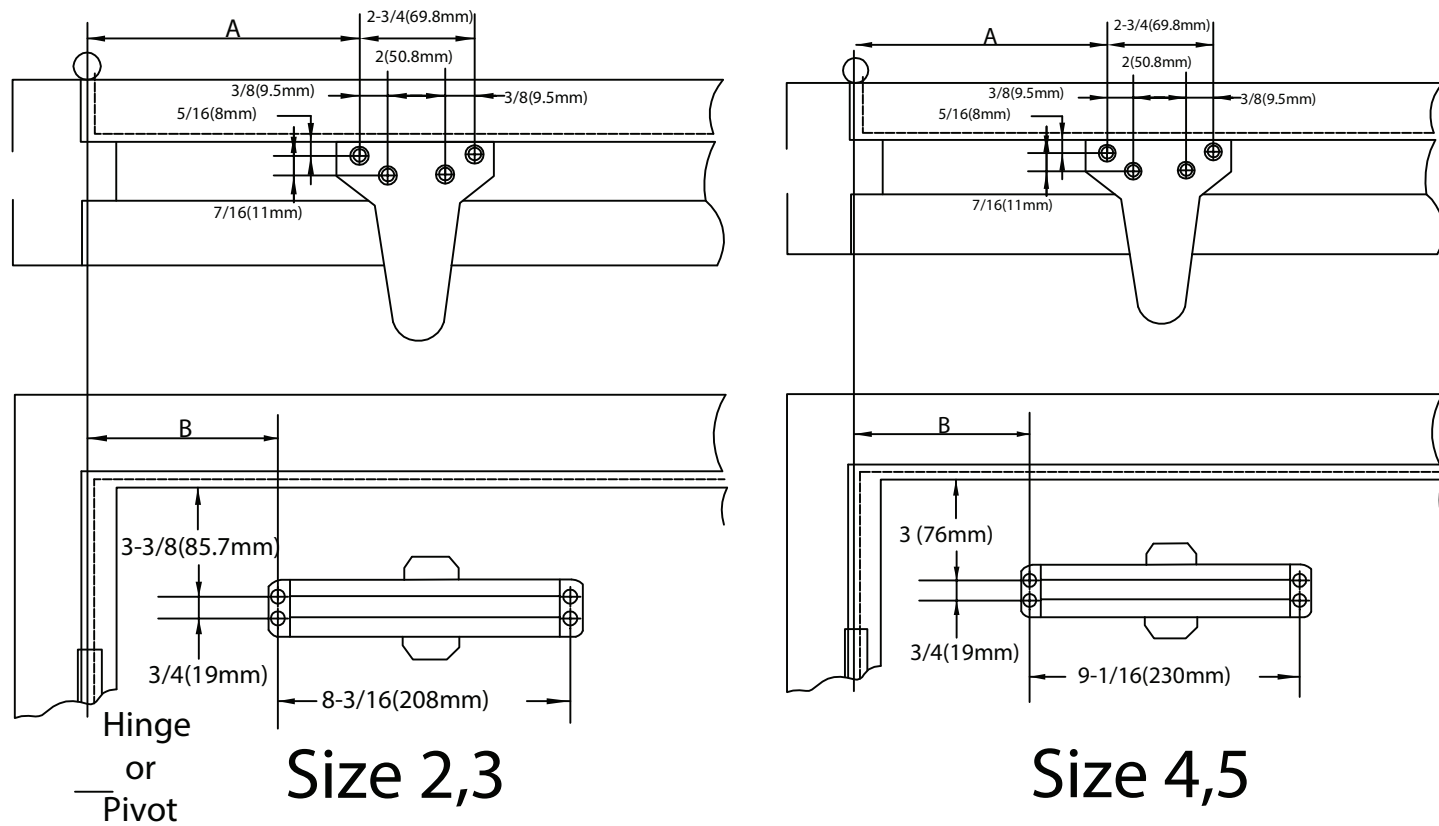


# PARALLEL ARM (PUSH SIDE) Mounting

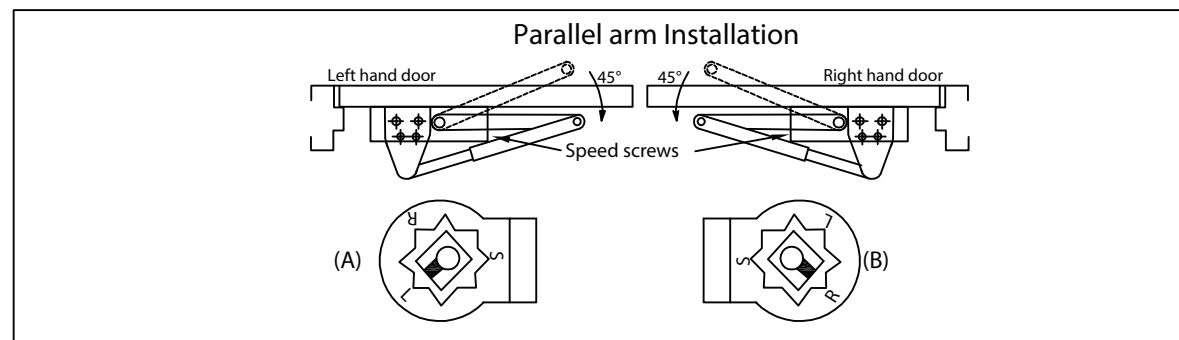


- Left hand door shown
- Right hand door opposite
- Dimensions are in inches (mm)
- Do not scale drawing

OPENING	DIM.A Size 2&3	DIM.B Size 2&3	DIM.A Size 4&5	DIM.B Size 4&5
To120°	10-3/4(273mm)	7-13/16(198.4mm)	7-3/4(197mm)	6-1/8(156mm)
120°-180°	8-3/4(222.2mm)	5-5/8(142.9mm)	5-3/4(146mm)	4-1/8(105mm)

## INSTALLATION SEQUENCE

1. Select door opening angle and use dimensions shown above.  
Mark four (4) holes on door for door closer and four(4) holes underside of frame for parallel arm bracket.
2. Drill pilot holes in door leaf and frame for #14 all-purpose screws for wood door/frame.  
Or drill and tap for 1/4-20 machine screws for metal door/frame.
3. Mount closer on door using provided screws.  
SPEED ADJUSTING VALVE MUST BE POSITIONED AWAY FROM HINGE EDGE
4. Install parallel Arm Bracket to frame using provided screws.
5. Using a wrench on the square shaft at bottom of closer, rotate shaft approximately 45 degrees toward hinge edge of door.  
Hold and place main arm on top shaft of closer at proper index mark as illustrated.  
FOR LEFT HAND DOOR "L"(illustration "A"). FOR RIGHT HAND DOOR "R"(illustration "B").  
Tighten arm screw with Lock-washer securely.
6. Remove arm shoe from forearm and discard. Install rod end of forearm to bracket using provided screw/washer assembly.
7. Adjust length of adjustable forearm so that main arm is parallel to frame.
8. Adjust the door closer, following instructions as shown on page 1.



# KROME

## DOOR CLOSERS INSTALLATION INSTRUCTIONS 922BC,923BC,924BC,925BC, Non-Hold open

<p><b>Regular Arm Installation</b> Closer installs on PULL/HINGE side of door</p> <p>illustrated Non Hold Open Arm Left Hand Door-LH Right Hand Reverse -RHR See Page 2</p>	<p><b>Top Jamb Installation</b> Closer Installs on Frame on PUSH/STOP side of door.</p> <p>illustrated Non Hold Open Arm Right Hand Door-RH Left Hand Reverse -LHR See Page 3</p>	<p><b>Parallel Arm Installation</b> Closer installs on PUSH/STOP side of door. * Optional</p> <p>illustrated Non Hold Open Arm Right Hand Door-RH Left Hand Reverse -LHR See Page 4</p>
---	---	---

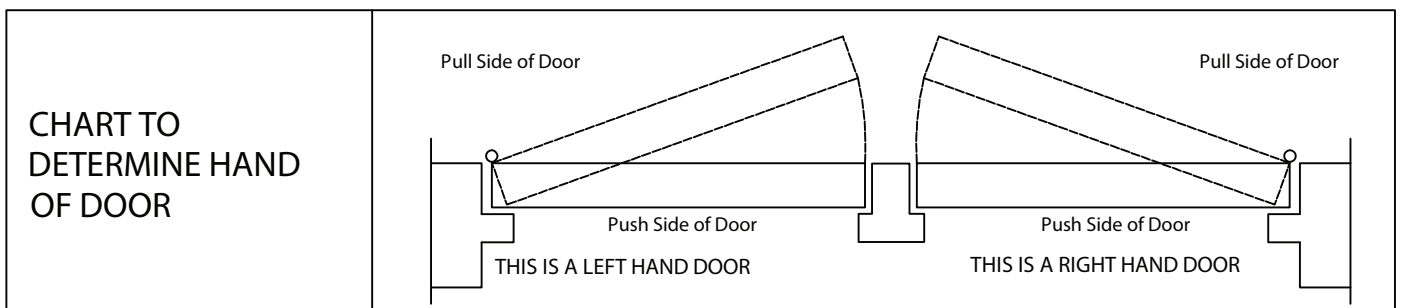
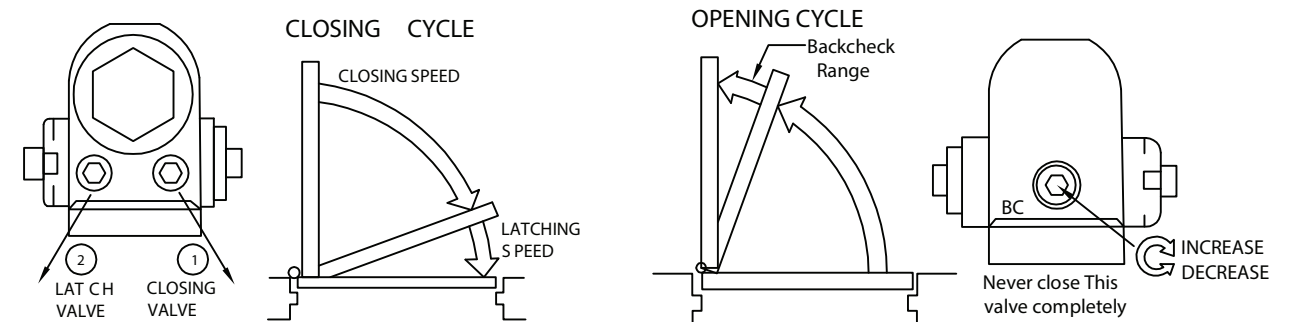
## DOOR CLOSER ADJUSTMENTS

NOTE : Closing arcs("CLOSE"and"LATCH") are controlled by two(2)separate speed adjusting valves. Adjust the CLOSING speed at first and then adjust the LATCHING speed.

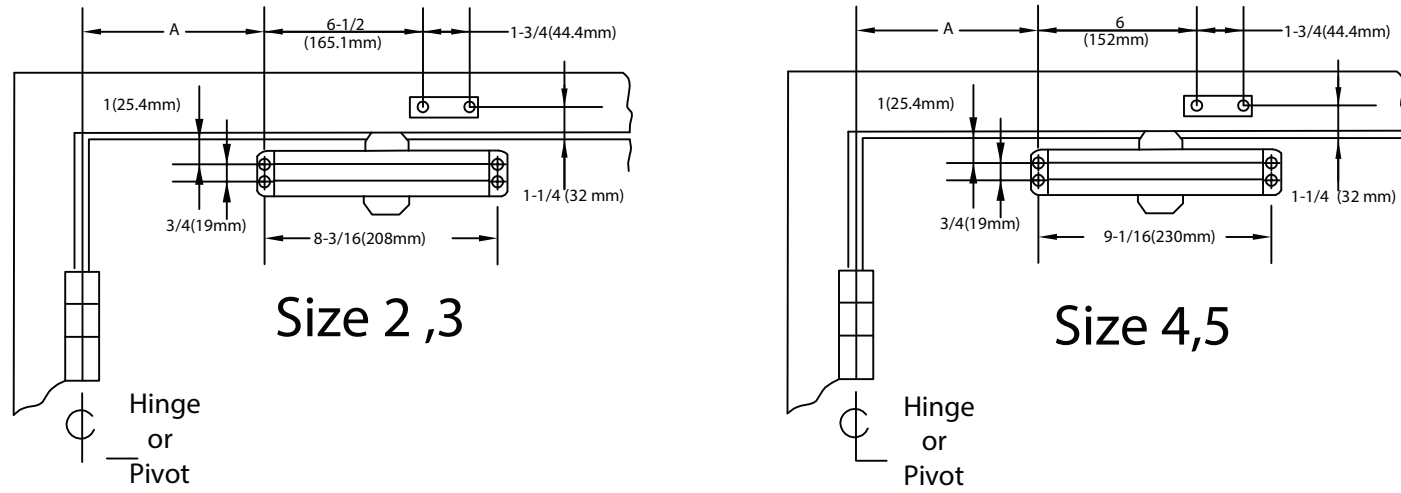
1. "CLOSING"speed adjustment is accomplished by full rotations of the speed adjusting valve.
  - Turn the speed adjusting valve CLOCKWISE for a SLOWER closing speed.
  - Turn the speed adjusting valve COUNTER-CLOCKWISE for a FASTER closing speed.
- 2 "LATCH" speed adjustment is accomplished by full rotations of the speed adjusting valve.
  - Turn the speed adjusting screw CLOCKWISE for a SLOWER closing speed.
  - Turn the speed adjusting screw COUNTER-CLOCKWISE for a FASTER closing speed.

## BACKCHECK ADJUSTMENT

NOTE: These instructions apply only to closers equipped with backcheck action.  
To increase backcheck intensity, turn "BC" valve clockwise.  
To decrease backcheck intensity, turn"BC" Valve counter-clockwise.



## REGULAR ARM (PULL SIDE) Mounting

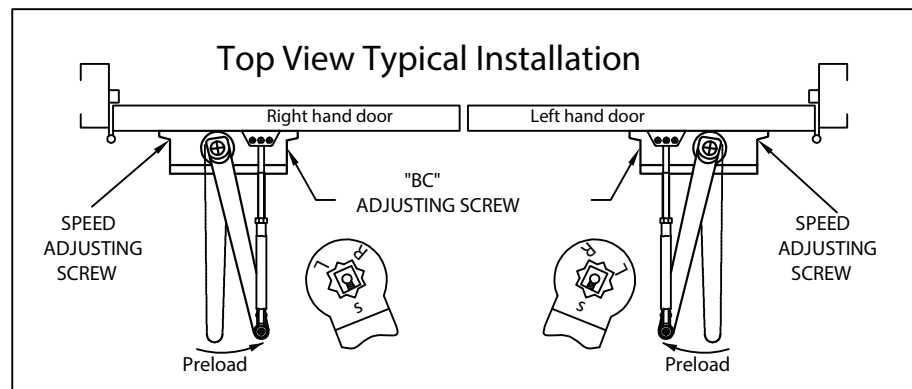


- Right hand door shown
- Left hand door opposite
- Dimensions are in inches(mm)
- Do not scale drawing

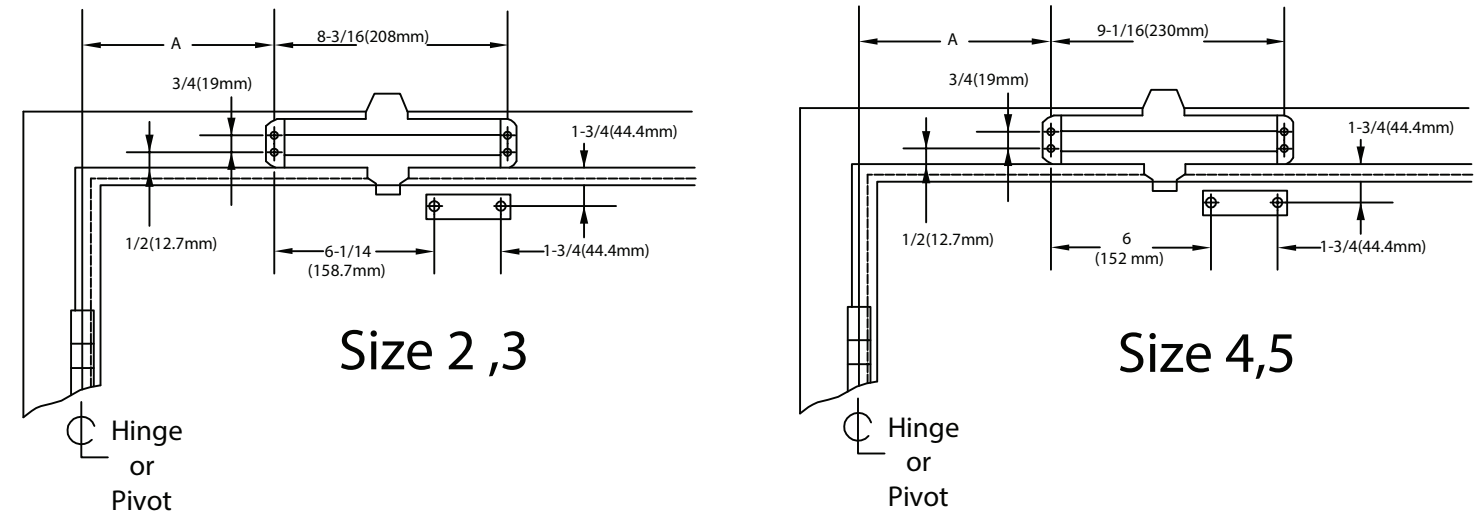
OPENING	DIM.A Size 2&3	DIM.A Size 4&5
To120°	6-1/2(165.1mm)	6 (152 mm)
120°-180°	4(101.6mm)	3-1/2 (89mm)

### INSTALLATION SEQUENCE

1. Select door opening angle and use dimensions shown above. Mark four (4) holes on door leaf for closer body and two (2) holes on frame for arm shoe.
2. Drill pilot holes in door leaf and frame for #14 all-purpose screws for wood door/frame. Or drill and tap for 1/4-20 machine screws for metal door/frame
3. Install forearm/arm shoe assembly to frame using provided screws.
4. Mount closer on door using provided screws. SPEED ADJUSTING VALVE MUST BE POSITIONED TOWARD HINGE EDGE
5. Install main arm to top pinion shaft, perpendicular to door. Secure tightly with provided arm screw/washer assembly.
6. Adjust length of forearm so that forearm is perpendicular to frame when assembled to preloaded main arm (see below illustration). Secure forearm to main arm with provided screw/washer assembly
7. Snap pinion cap over shaft at bottom of closer. If the slim cover is packed, please fix it by provided screws.
8. Adjust the door closer, following instructions as shown on page 1.



## TOP JAMB (PUSH SIDE) Mounting



- Left hand door shown
  - Right hand door opposite
  - Dimensions are in inches(mm)
  - Do not scale drawing
- Lorem ipsum

OPENING	DIM.A Size 2&3	DIM.A Size 4&5
To120°	6-1/2(165.1mm)	6(152 mm)
120°-180°	4(101.6mm)	3-1/2 (89mm)

### INSTALLATION SEQUENCE

1. Select door opening angle and use dimensions shown above. Mark four (4) holes on door leaf for closer body and two (2) holes on frame for arm shoe.
2. Drill pilot holes in door leaf and frame for #14 all-purpose screws for wood door/frame. Or drill and tap for 1/4-20 machine screws for metal door/frame
3. Install forearm/arm shoe assembly to frame using provided screws.
4. Mount closer on door using provided screws. SPEED ADJUSTING VALVE MUST BE POSITIONED TOWARD HINGE EDGE
5. Install main arm to top pinion shaft, perpendicular to door. Secure tightly with provided arm screw/washer assembly.
6. Adjust length of forearm so that forearm is perpendicular to frame when assembled to preloaded main arm (see below illustration). Secure forearm to main arm with provided screw/washer assembly
7. Snap pinion cap over shaft at bottom of closer. If the slim cover is packed, please fix it by provided screws.
8. Adjust the door closer, following instructions as shown on page 1.

